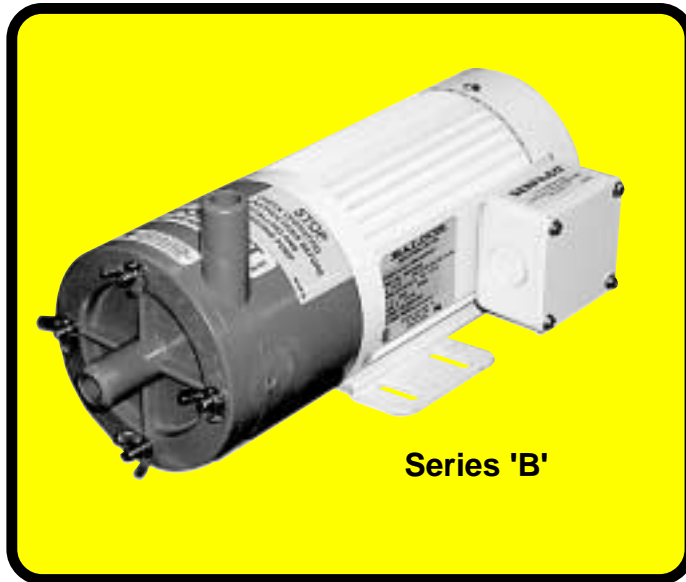


SERIES 'A' & 'B' MAGNETIC COUPLED PUMPS

LEAK-PROOF / NON-METALLIC DESIGN



FOR PUMPING THESE SOLUTIONS:

**AQUEOUS / CAUSTIC / ACID
RINSE / CLEANING / PLATING
PHOTOGRAPHIC / ETCH
PHARMACEUTICAL**

- **Flows to 12 GPM or 24 ft. TDH @ 60 Hz**
(45 LPM or 7M @ 50 Hz)
- **Non-metallic solution contact**
Polypropylene, CPVC, PVDF or ECTFE
(See a chemical resistance chart)
- **Continuous duty design**
- **Quiet, economical, centrifugal**
- **Low maintenance**
No spindles, bearings or thrust washers

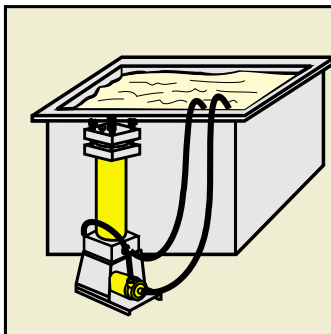
The Series 'A' and 'B' magnetic coupled pumps are seal-less and leakproof, providing total solution and vapor containment. These pumps feature a shaft and bearing free design that allows them to be used for electroless solutions. The impeller magnet assembly floats in the radial magnetic field set up by the external drive magnet, eliminating the need for a shaft or spindle.

The pump body can be rotated to selected direction of discharge. Neutralizing fluid will normally flush the interior adequately without need for disassembly.

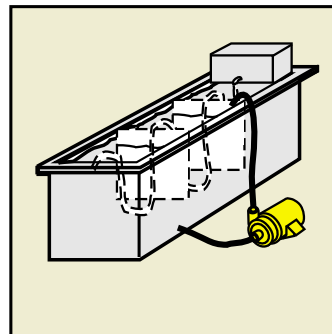
Impellers supplied on all standard seal-less pumps are suitable for water-like liquids up to 1.2 specific gravity.

Liquids with a higher specific gravity can be pumped if:

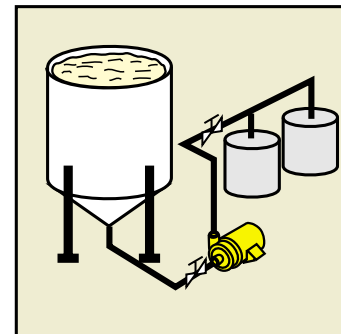
1. The outlet flow is restricted so the impeller magnet stays synchronized with the drive magnet.
2. The restrictions from a filter or other source of discharge head loss are sufficient to keep the impeller and drive magnets synchronized.
3. The overall diameter of the impeller is reduced.



FILTRATION



RECIRCULATION



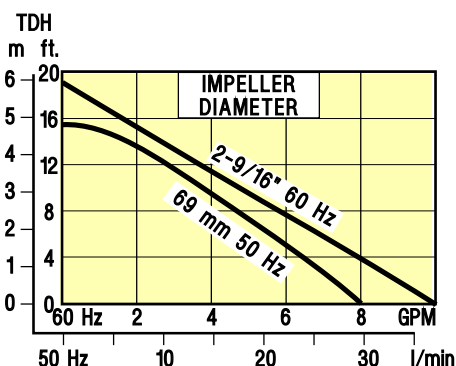
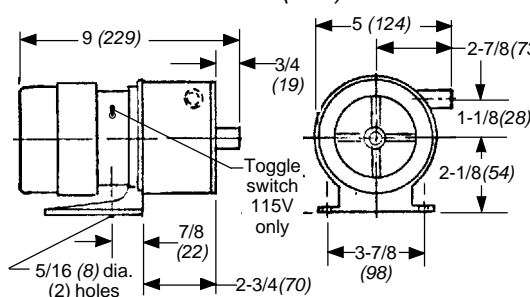
TRANSFER

SERIES 'A' & 'B' PUMPS (cont'd)

SERIES 'A'

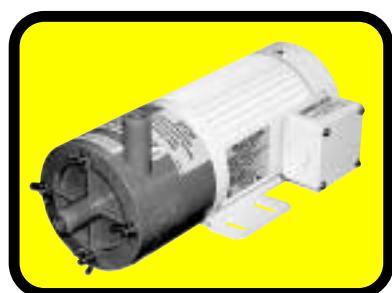


DIMENSIONS Inches (mm)

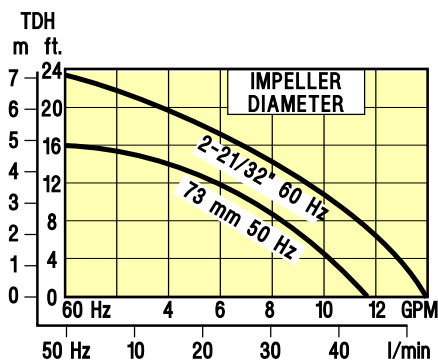
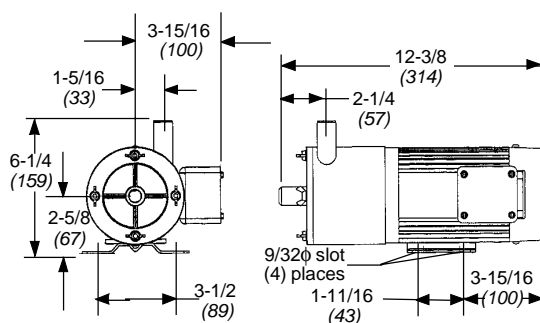


CPVC ¹ Max temp. 200°F (92°C)		POLYPROPYLENE ¹ Max temp. 180°F (82°C)		ECTFE Max temp. 220°F (104°C)		PVDF Max temp. 220°F (104°C)		MOTOR, TEFC 3000 RPM @ 60 Hz 2500 RPM @ 50 Hz	SHIPPING WEIGHT	
MODEL CPP3000A	PRICE CODE NO.	MODEL APS3000A	PRICE CODE NO.	MODEL H3000A	PRICE CODE NO.	MODEL KH3000A	PRICE CODE NO.		Lbs.	Kg.
w/polypropylene encapsulated impeller magnet, EPDM "O"-ring. 5/8" hose conn. ²	44-1372	w/polypropylene encapsulated impeller magnet, EPDM "O"-ring. 5/8" hose conn. ²	44-0852	w/ECTFE encapsulated impeller magnet, Viton® "O"-ring. 5/8" hose connection. ²	44-1495	w/ECTFE encapsulated impeller magnet, Viton "O"-ring. 5/8" hose connection. ²	44-1367	1/12 HP, 115V/1/50-60Hz	10	4.5
	44-1373		44-0858		44-1496		44-1368	1/15 HP, 208-240V/1/50-60Hz		

SERIES 'B'



DIMENSIONS Inches (mm)



CPVC ¹ Max temp. 200°F (92°C)		POLYPROPYLENE ¹ Max temp. 180°F (82°C)		ECTFE Max temp. 220°F (104°C)		PVDF Max temp. 220°F (104°C)		MOTOR 3450 RPM @ 60 Hz 2850 RPM @ 50 Hz 1/6 HP, TEFC NEMA 42 Frame	WEIGHT	
MODEL CPP3450BL	PRICE CODE NO.	MODEL APS3450BL	PRICE CODE NO.	MODEL H3450BL	PRICE CODE NO.	MODEL KH3450BL	PRICE CODE NO.		Lbs.	Kg.
w/polypropylene encapsulated impeller magnet, EPDM "O"-ring. 3/4" hose conn. ²	48-0120	w/polypropylene encapsulated impeller magnet, EPDM "O"-ring. 3/4" hose conn. ²	48-0140	w/ECTFE encapsulated impeller magnet, Viton "O"-ring. 3/4" hose connection. ²	48-0221	w/ECTFE encapsulated impeller magnet, Viton "O"-ring. 3/4" hose connection. ²	48-0220	115-230V/1/60	21	9.5
	48-0120B		48-0140B		48-0221B		48-0220B	230V/1/50		
	48-0120C		48-0140C		48-0221C		48-0220C	208-230/460V/3/60 230/380V/3/50		

Single phase TEFC motors include 8 ft. (2.4M) of 3-wire cord and plug. (Toggle switch & plug omitted on 50Hz 'A' pump; plug omitted on 50 Hz 'B' pump.)

¹ To change "O"-ring from ethylene propylene to Viton, add **V** to Model Number and Price Code Number.

² For 'A' pump, to change hose connections to pipe thread — 5/8" dia. to 3/8" MNPT — add Price Code Number 44-0886.

For 'B' pump, to change hose connections to pipe thread — 3/4" dia. to 1/2" MNPT — add Price Code Number 44-0887.

Trimmed impeller Price Code Number 44-1244

See page 172 for priming chambers.

Specifications subject to change without notice.