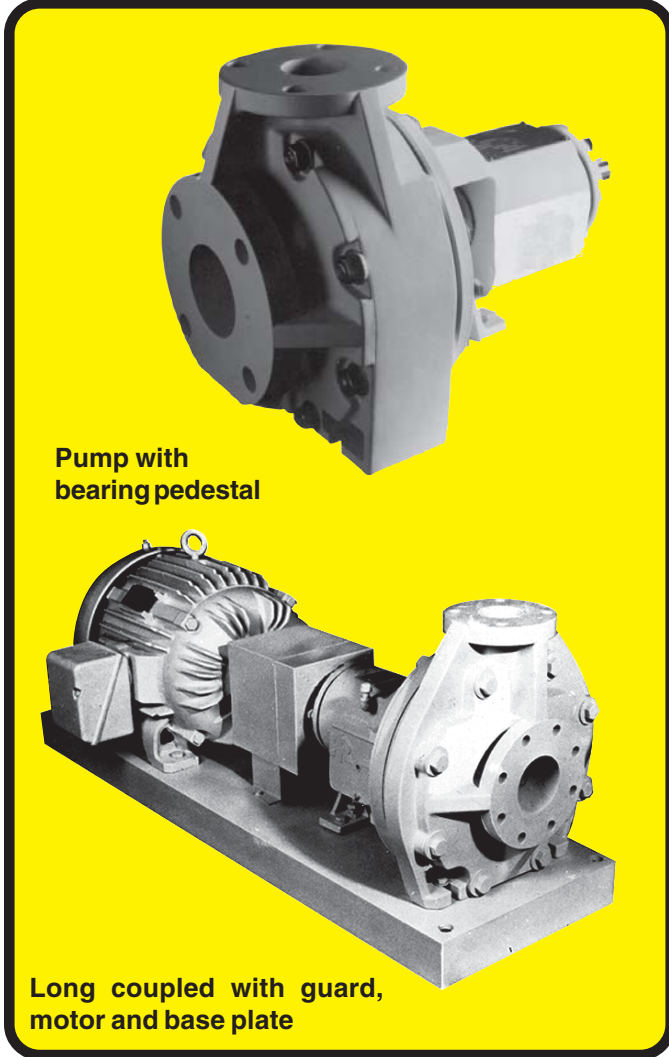




# SERFILCO®

## SERIES 'GRP' HORIZONTAL PUMPS

BULLETIN  
P-105B  
APRIL 1989



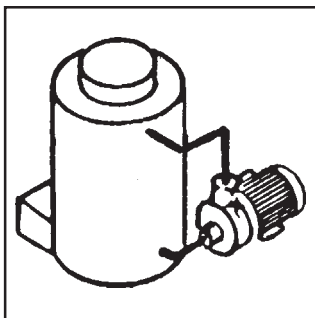
*For corrosive service applications:*

**CHEMICAL PROCESSES  
PULP-PAPER / METAL-MINING  
ENVIRONMENTAL / DESALINATION**

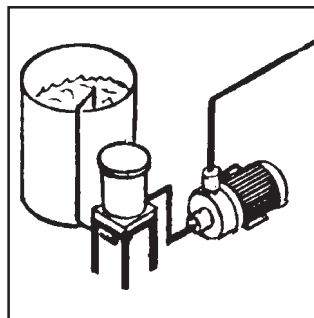
- **BUILT to ANSI B73.1 STANDARDS**  
Interchangeable with ANSI metal alloy pumps
- **CHEMICAL RESISTANT**  
Glass-reinforced vinyl ester or polymer  
*See Chemical Resistance Chart*
- **CENTRIFUGAL**
- **FLANGED PORTS**  
Sizes 1" x 1" to 8" x 6"
- **To 3000 U.S. GPM or 300 FT.TDH @ 60 Hz**  
(500 M<sup>3</sup>/HR. or 60M TDH @ 60Hz)
- **CHEMICAL DUTY MOTOR**  
Sealed oversized bearings, cast iron end bells  
Liquid/vapor seal and slinger  
Corrosion resistant two-part epoxy finish  
Stainless steel nameplate

Built to ANSI specifications, the GRP Series of pumps offers "total" chemical resistance both internally and externally with its solid glass reinforced vinyl ester construction of the casing, impeller, stuffing box cover and gland (for mechanical seal) and sleeve over-shaft, even the impeller nut. Shaft and shaft key are type 303 stainless

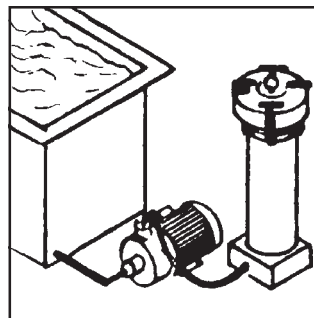
steel, as are the casing studs, bolts, and nuts, gland studs and nuts and impeller stud. The slinger is polypropylene and the drain is PTFE. Support head, bearing housing and bearing end cover are cast iron. 'O'-rings for casing, shaft sleeves and impeller nut are Viton®.



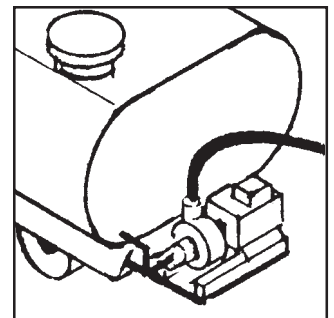
RECIRCULATION/  
FUME SCRUBBING



TRANSFER  
w/PRIMING CHAMBER

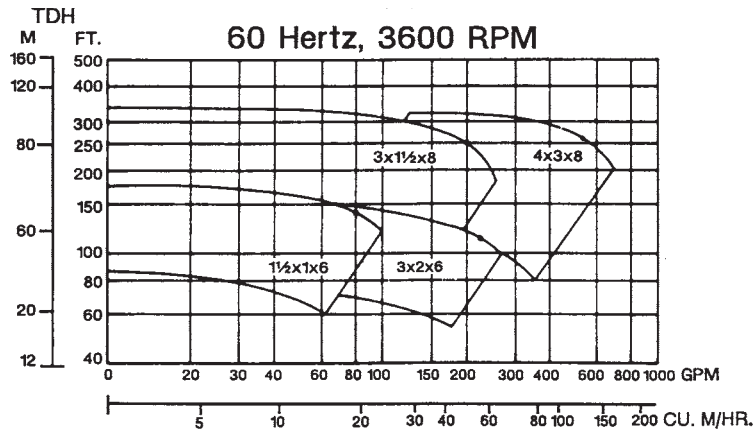
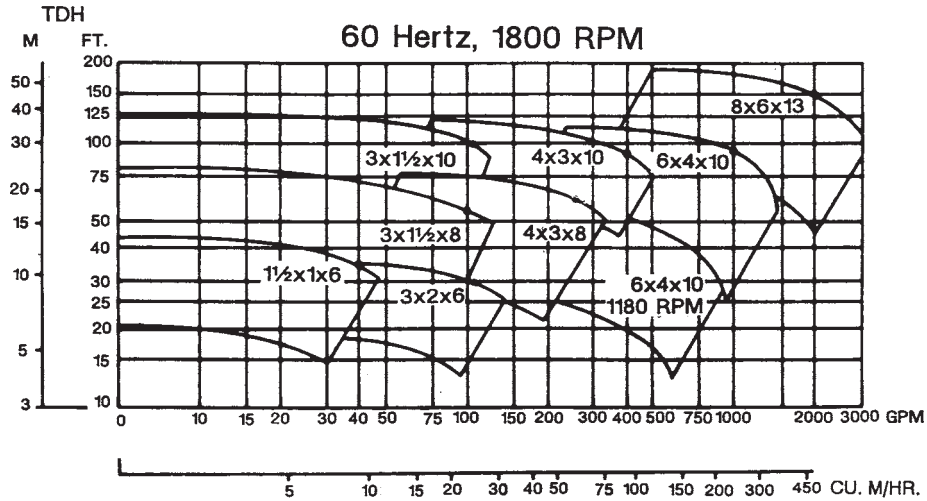


FILTERING

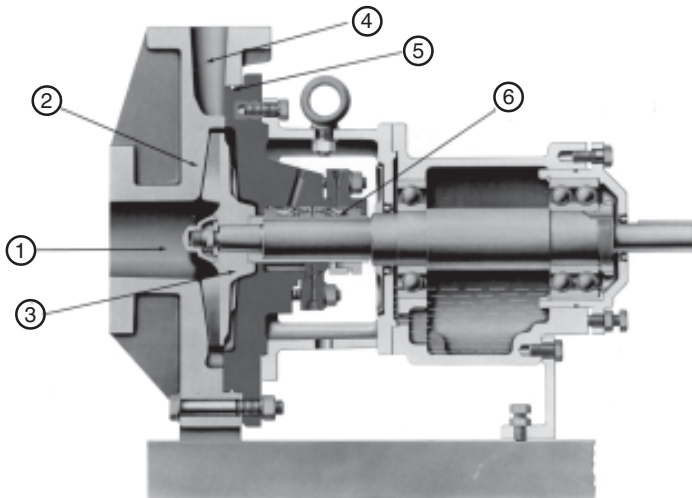


BULK LOADING

# FLOW CURVES

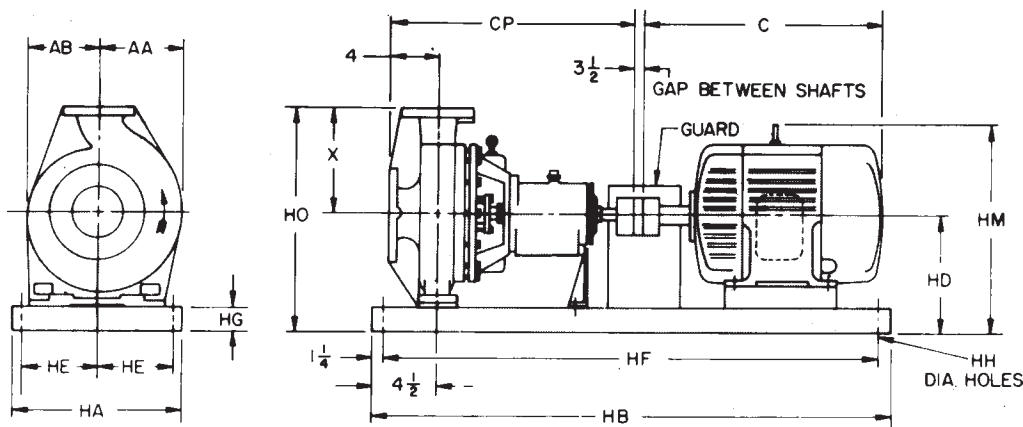


1. "single material" concept: All wetted parts are made of a single fiberglass material (glass reinforced vinyl ester or polymer) with superior corrosion resistance across an exceptionally broad range of corrosive applications. The GRP fiberglass pump successfully handles most acids, chlorides, salts and caustics: eliminating the need for stocking pumps and parts in multiple materials for various chemical applications. Fiberglass has other advantages, too: it is light weight, with low vibration characteristics, non-galling, non-sparking and non-conductive.
2. Unitized case with integrally molded suction and discharge nozzles and flanges offers structural strength and reliability. The GRP fiberglass pump has the same nozzle loading capabilities as our metal alloy ANSI pumps.



3. Tapered polygon impeller/shaft sleeve drive provides 98% contact providing uniform torque carrying capacity for positive drive and greater durability. There are no keys to damage the fiberglass impeller, no threaded metal inserts to strip or slip.
4. Exceptionally smooth hydraulic passages provide high efficiency and lower operating costs.
5. Radial-fit O-rings for casing, shaft sleeve and impeller nut ensure proper sealing under all operating conditions, protecting the pump shaft from corrosive liquids and guaranteeing casing integrity.
6. Stuffing box accepts most mechanical seals specified for chemical handling applications. Two of the most useful types are the double seal (shown above shaft) and the outside mounted seal (shown below shaft).

**SERIES "GRP"  
Specifications**



PUMP INFORMATION								BEDPLATE AND MOTOR									
ANSI Desig.	Pump Size	Suction	Discharge	Pump Weight	AA	AB	X	CP	Motor Frames	143/145T	182T	184T	213/215T	254/256T	284/286T	324/326T	364/365T
AA	1½x1x6	1½	1	60	5 3/8	5 3/8	6½	17½	C	13 1/16	14¾	15¾	19 3/8	26 1/16	26 1/16	28 11/16	34 1/16
	3x2x6	3	2	65	5 3/8	5 3/8	6½	17½	Motor Wt.	35	58	69	169	410	410	620	900
A50	3x1½x8	3	1½	175	8 1/8	8 1/8	8½	23½	Bed No.	1T	1T	2T	2T	-	-	-	-
A70	4x3x8	4	3	180	9 3/8	9 3/8	11	23½	Bed No.	1T	1T	2T	2T	-	-	-	-
A50	3x1½x10	3	1½	180	8	8	8½	23½	Bed No.	1	1	1	1	2	2	3	3
A70	4x3x10	4	3	185	9 1/16	8 3/8	11	23½	Bed No.	1	1	1	1	2	2	3	3
A75	6x4x10	6	4	195	10 5/8	8 7/8	13½	23½	Bed No.	1	1	1	1	2	2	3	3

BEDPLATE							
Bed No.	Weight	HA	HB	HE	HF	HG	HH
1T	45	10	35	4	32½	2 5/8	¾
2T	68	12	39	4½	36½	3	¾
1	80	12	45	4½	42½	3	¾
2	147	15	52	6	49½	3 3/8	¾
3	205	18	58	7½	55½	4	1

**NOTES:**  
 1 - For information only: do not use for construction.  
 2 - All dimensions given in inches, and weights in pounds.  
 3 - All flanges are ANSI 150 lb. flat-face dimensions.

Motor Frames	143/145T						182T						184T						213/215T						254/256T					
	HD	HM	HO	HD	HM	HO	HD	HM	HO	HD	HM	HO	HD	HM	HO	HD	HM	HO	HD	HM	HO	HD	HM	HO	HD	HM	HO	HD	HM	HO
Pump	7 7/8	11½	14 3/8	7 7/8	14 3/8	14 3/8	8¼	14¾	14¾	8¼	16	14¾	-	-	-	-	-	-	8 5/8	18 1/8	15 1/8	-	-	-	-	-	-	-	-	-
	7 7/8	11½	14 3/8	7 7/8	14 3/8	14 3/8	8¼	14¾	14¾	8¼	16	14¾	11 5/8	21 1/8	20 1/8	11 5/8	21¾	20 1/8	-	-	-	-	-	-	-	-	-	-	-	-
	11¼	14 7/8	19¾	11¼	17¾	19¾	11¼	17¾	19¾	11¼	19 1/8	19¾	11 5/8	21 1/8	22 5/8	11 5/8	21¾	22 5/8	12¼	23 7/16	23¼	14	26¾	27½	-	-	-	-	-	-
	-	-	-	-	-	-	-	-	-	11¼	19 1/8	19¾	-	-	-	-	-	-	-	-	-	-	-	-	-	-	-	-	-	-
	-	-	-	-	-	-	-	-	-	11¼	19 1/8	22¼	11 5/8	21 1/8	22 5/8	-	-	-	-	-	-	-	-	-	-	-	-	-	-	-
	-	-	-	-	-	-	-	-	-	-	-	-	13 3/8	22 7/8	26 7/8	13 3/8	23½	26 7/8	14	25 3/16	27½	-	-	-	-	-	-	-	-	-

**TO ORDER:** Following the Basic Model designation...  
 Add choice of pump, seals and motor, bedplate, coupling and guard assembly to complete the Model no.  
 Add corresponding Price Code No. and suffix to 41-00 \_ \_ \_

**EXAMPLE:** TYPICAL MODEL NUMBER

PRICE CODE NO.  
= 41- 0023G

GRP    3X2X6    (M3xM3)    D5

PUMP SIZE
ADD TO...

SEAL
ADD TO...
MATERIAL
Packed Box
Teflon, SS
Single Mech. Viton, SFCER
Double Mech. Viton, SFCER

MOTOR, BEDPLATE, COUPLING AND GUARD																
230-460/3/60 TEFC					MOTOR HORSEPOWER											
RPM	ADD TO...				1-½	2	3	5	7-½	10	15	20	25	30	40	50
3450	A	C	E	G	J	L	N	Q	S	U	W	Y				
1725	B	D	F	H	K	M	P	R	T	V	X	Z				