



# SERFILCO®

## PLASTIC FILTER CHAMBERS SERIES 'SD'

BULLETIN  
C-116  
JULY 2004



**WATER TREATMENT / PARTS WASHERS  
VENDING / PHOTOGRAPHIC  
CIRCUIT BOARD SCRUBBING  
CHEMICAL MILLING / WASTE TREATMENT**

### FEATURES:

- **Non-metallic solution contact** —  
CPVC, PVC or polypropylene construction  
EPDM elastomers standard. Viton® optional  
(See a chemical resistance chart)
- **Screw top cover closure**  
for quick and easy cartridge change
- **Port size 1" FNPT**
- **Choice of configurations and sizes available for use with a variety of filter media**

#### Depth wound cartridges

From 3 to 12-10" cartridge capacity  
(or equivalent 20", 30", or 40" lengths.)

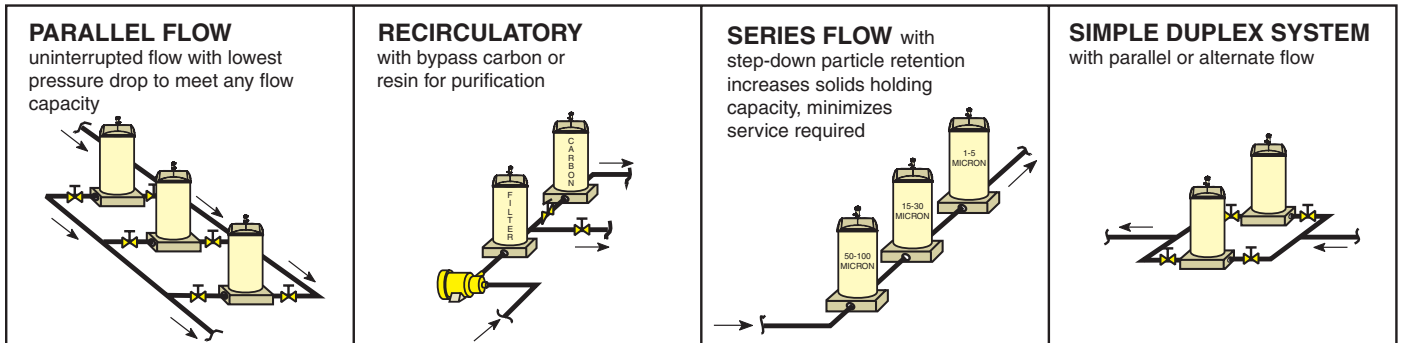
**Single 4" diameter pleated cartridge**  
(or 2-4" diameter wound cartridges)

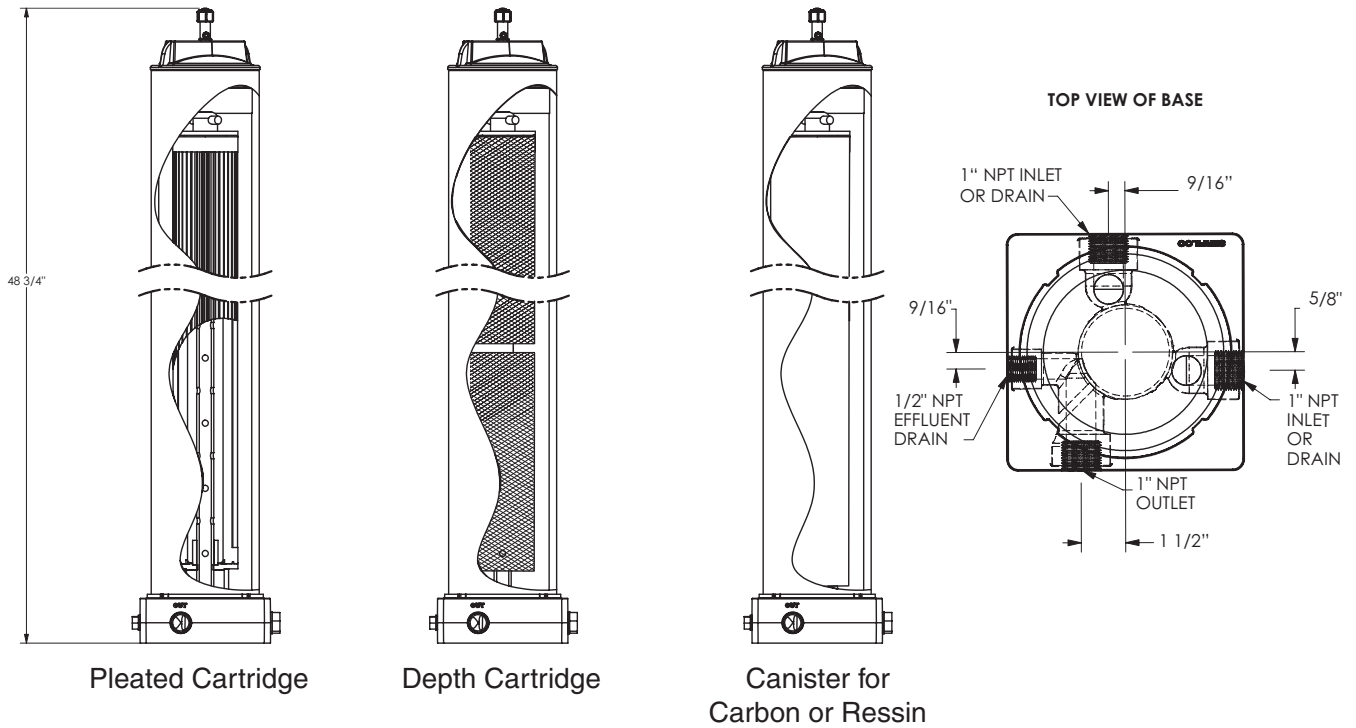
#### Single canister

For granular carbon or resin

The Series 'SD' Filter Chambers provide versatility and ease of operation for the filtration and purification of various process solutions. The Series 'SD' single cartridge chamber will accept a 4" diameter pleated cartridge, two 4" dia. depth wound cartridges, or a single carbon canister for granular carbon or resin.

The multi-cartridge chamber holds 3 to 12 standard depth wound cartridges. Both designs feature non-metallic solution contact and are available in PVC, CPVC or polypropylene construction. These chambers also feature a screw top cover closure for quick and easy cartridge change.





**Series 'SD' – single cartridge / canister chamber**

Chamber holds 1-4" dia. x 36" long pleated cartridge or 2-4" dia. x 18" long depth cartridges. The cartridges are held securely in place by a dispersion tube with a twist cap assembly. Chamber will also hold 1-5" dia. x 38" long canister for carbon or resin. Filter media and canister assembly ordered separately.

PRICE CODE NUMBER	MODEL NUMBER	MATERIALS OF CONST.	CONNS.	SHIPPING WEIGHT	P @ FLOW	MAXIMUM OPERATING TEMP
78-1484 P	PL640D-1	PVC & CPVC EPDM	1" FNPT	45 lbs	5 PSI @ 30 GPM 15 PSI @ 68 GPM	CPVC 180° F PP 160° F PVC 140° F
78-1484 C	CL640D-1	CPVC/EPDM				MAXIMUM OPERATING PRESSURE
78-1484 PP	PPL640D-1	PP & RYTON EPDM				40 PSI

To order chamber with Viton 'O'-ring, change **L** to **V** in Model No. and add **-V** to Price Code No.

**FILTER MEDIA: Order separately**

**PLEATED PAPER CARTRIDGE**

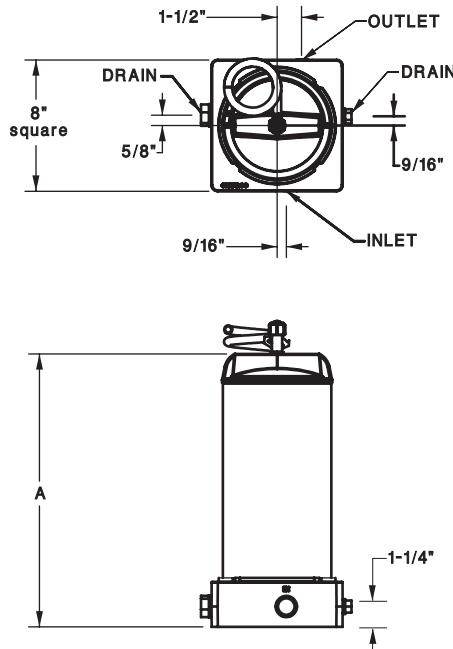
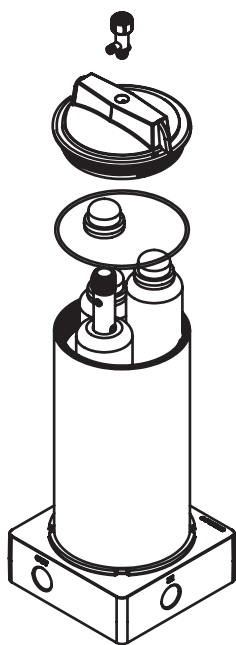
DESCRIPTION	MICRON RATING	MODEL
4" dia. x 36" long	2	PL436-2-4

**CANISTER FOR CARBON or RESIN**

DESCRIPTION	MODEL	PRICE CODE NUMBER
5" dia. x 38" long	538P	88-2787

**DEPTH WOUND CARTRIDGES**

4" dia. x 18" long polypropylene or unbleached cotton	See Bulletin M-109
---	--------------------



FLOW RATE VS. PRESSURE DIFFERENTIAL WITH 15 MICRON DEPTH WOUND CARTRIDGES)		
1" FNPT Connections	@ 5 PSI	@ 15 PSI
	30 GPM 114 LPM	58 GPM 220 LPM

**Series 'SD' - Multi-Cartridge Chamber**

Chamber holds 3 to 12 - 10" cartridges (2 5/8" O.D. MAX). The cartridges are held securely in place by a dispersion tube and cap assembly. Select depth wound, pleated, carbon or membrane cartridges (ordered separately)

DESCRIPTION	Model Number	Price Code Number
<b>PL</b> CPVC base and cover, PVC shell sealed to base. EPDM 'O'-ring at cover and polypropylene vent plug. CPVC internals. CPVC cartridge guides, caps and drain plugs. For DOE cartridges.	PL30(1)P-1 PL60(1)P-1 PL90(1)P-1 PL120(1)P-1	78-1300 P 78-1301 P 78-1302 P 78-1303 P
<b>CL</b> CPVC base and cover, CPVC shell sealed to base. EPDM 'O'-ring at cover and polypropylene vent plug. CPVC internals. CPVC cartridge guides, caps and drain plugs. For DOE cartridges.	CL30(1)P-1 CL60(1)P-1 CL90(1)P-1 CL120(1)P-1	78-1300 C 78-1301 C 78-1302 C 78-1303 C
<b>PPL</b> Polypropylene base and Ryton cover. Polypropylene shell sealed to base. EPDM 'O'-ring at cover and polypropylene vent plug. PP internals. PP cartridge guides, caps and drain plugs. For DOE cartridges.	PPL30(1)P-1 PPL60(1)P-1 PPL90(1)P-1 PPL120(1)P-1	78-1300PP 78-1301PP 78-1302PP 78-1303PP

To order chamber with Viton 'O'-ring, change L to V in Model No. and add -V to Price Code No.

**DIMENSIONS**

CHAMBER					CARTRIDGES - MAX. DIA 2-5/8"				SLEEVE ASSEMBLY			
SIZE	HEIGHT (A)		SHIPPING WT		SIZE & NUMBER				Solids Area sq. ft.	LENGTH in.	SOLIDS AREA sq. ft.	PRICE CODE NO.
	in.	mm.	lbs.	kg.	10"	20"	30"	40"				
30(1)	16-5/8	422	13	6	3	-	-	-	10.5	10	1.8	78-0194
60(2)	26-5/8	676	25	11	6	3	-	-	21.0	20	3.6	78-0195
90(3)	36-5/8	930	38	17	9	-	3	-	31.5	30	5.4	78-0196
120(4)	46-5/8	1184	50	23	12	6	-	3	42.0	40	7.2	78-0416