

SERIES 'X' MAGNETIC COUPLED PUMPS

**NON-METALLIC AND SEAL-LESS PROVIDING
TOTAL VAPOR AND SOLUTION CONTAINMENT FOR:**



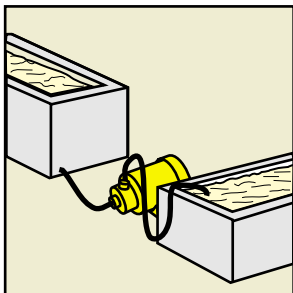
**ACID / AQUEOUS / CAUSTIC
CHEMICAL / PLATING
PHOTOGRAPHIC**

- **Flows from 1 to 25 U.S. GPM @ 60 Hz
(3 - 78 LPM @ 50 Hz)**
- **Non-metallic solution contact**
Polypropylene, PVDF, ETFE, Viton®
(See a chemical resistance chart)
- **NPT or hose barb connections**
- **Strong magnets will handle liquids
to 1.3 specific gravity**
- **Continuous duty design**
- **Compact, quiet and efficient**
- **UL approved, CEC conforming**
- **Motors are available**
100-110V/1/50-60 Hz or
230V/1/50-60 Hz
- **Designed to replace similar OEM
pumps**

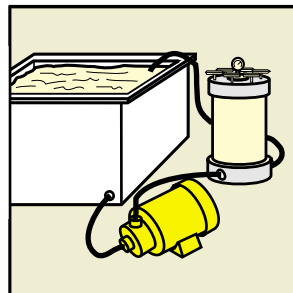
SERIES 'X' Magnetic Coupled Pumps are the latest in magnetic coupled pump technology. Tested and proven design features provide a pump that is seal-less and leakproof. Available materials of construction and flow capacities from 1 to 25 U.S. GPM make these pumps an excellent choice for a wide variety of applications from water at ambient temperatures to harsh chemicals at elevated temperatures.

Standard 'X' models have strong magnets and powerful, highly efficient continuous duty motors which allow them to operate non-overloading and provide continuous flow with liquids up to 1.3 specific gravity. Compact and quiet Series 'X' pumps are designed to provide years of trouble-free operation.

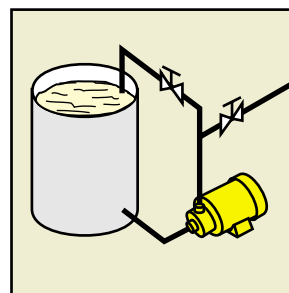
The following information covers standard Series 'X' models. For other models and magnetic coupled pumps to 250 GPM, consult our Sales Dept.



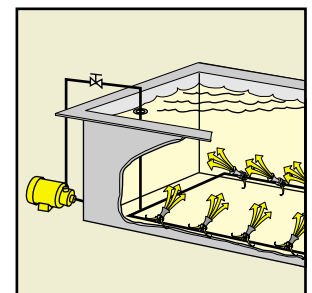
WASTE TREATMENT



FILTER SYSTEM



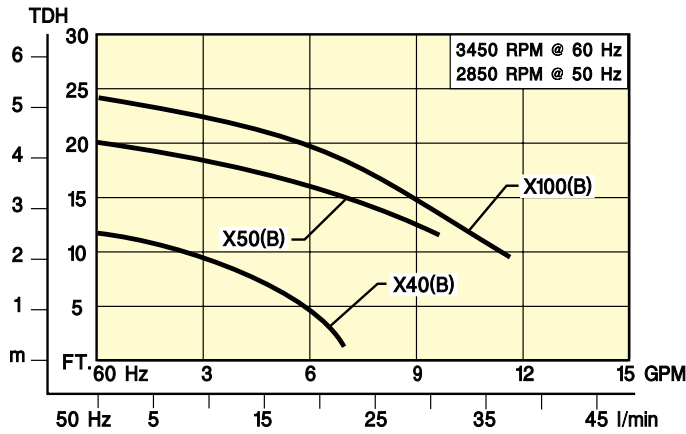
TRANSFER PUMPING



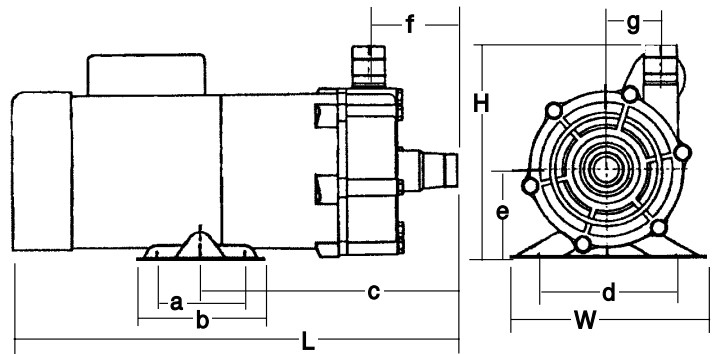
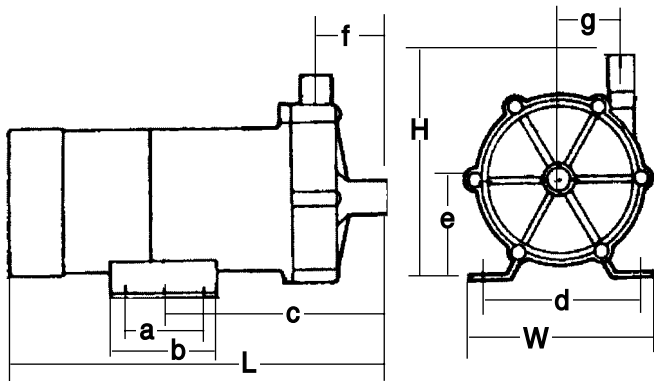
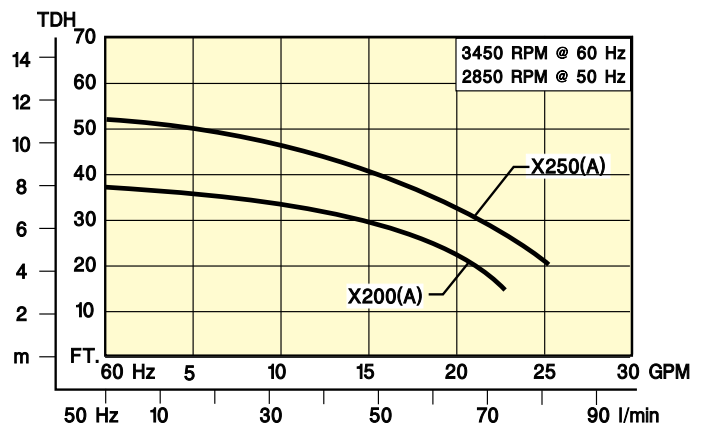
EDUCTOR AGITATION
and MIXING

SERIES 'X' PUMPS Performance and dimensions

Models X40, X50 & X100



Models X200 & X250



Models X40, X50 & X100

Models X200 & X250

MODEL	DIMENSIONS (Inches)									
	W	H	L	a	b	c	d	e	f	g
X40	3.73	4.53	8.08	1.19	1.97	5.18	2.68	2.17	1.30	1.12
X50	4.72	5.12	9.12	1.58	2.52	6.65	3.94	2.36	1.89	1.22
X100	4.36	5.12	10.31	1.58	2.52	6.65	3.94	2.36	1.89	1.22
X200	6.14	6.50	13.97	2.76	3.94	8.07	4.33	2.59	2.75	1.72
X250	6.14	6.50	14.30	2.76	3.94	8.07	4.33	2.59	2.75	1.72

Specifications subject to change without notice.

SERIES 'X' PUMPS Ordering information

Select flow curve providing desired performance. Select materials of construction and connections required. Use Price Code Number to order.

POLYPROPYLENE / VITON w/HOSE CONNECTIONS

FLOW CURVE	MAX. FLOW GPM	MAX. TDH Ft.	HP	CONNS. In.	S. G. *	MODEL NUMBER	PRICE CODE NO.
X40 (B)	7.3	11.6	1/40	5/8	1.3	X40PV 5/8H CRYR B C.02	81-4114 2D
X50 (B)	10	20	1/15	3/4	1.3	X50PV 3/4H CRYR B C.06	81-5134 2E
X100 (B)	12	24	1/10	3/4	1.3	X100PV 3/4H CRYR B C.1	81-6134 2F
X200 (A)	24	36	1/5	1	1.1	X200PV 1H CR A C.2	81-7156 1G
X250 (A)	29	50	1/3	1	1.1	X250PV 1H CR A C.3	81-8156 1H

POLYPROPYLENE / VITON w/MNPT CONNECTIONS

X40 (B)	7.3	11.6	1/40	3/4	1.3	X40PV 3/4T CRYR B C.02	81-4144 2D
X50 (B)	10	20	1/15	3/4	1.3	X50PV 3/4T CRYR B C.06	81-5144 2E
X100 (B)	12	24	1/10	3/4	1.3	X100PV 3/4T CRYR B C.1	81-6144 2F
X200 (A)	24	36	1/5	1	1.1	X200PV 1T CR A C.2	81-7166 1G
X250 (A)	29	50	1/3	1	1.1	X250PV 1T CR A C.3	81-8166 1H

PVDF / VITON w/HOSE CONNECTIONS

X40 (B)	7.3	11.6	1/40	5/8	1.3	X40KV 5/8H CRT B C.02	81-4213 2D
X50 (B)	10	20	1/15	3/4	1.3	X50KV 3/4H CRT B C.06	81-5233 2E
X100 (B)	12	24	1/10	3/4	1.3	X100KV 3/4H CRT B C.1	81-6233 2F

ETFE / VITON w/MNPT CONNS.

X200 (A)	24	36	1/5	1	1.1	X200EV 1T CR A C.2	81-7366 1G
X250 (A)	29	50	1/3	1	1.1	X250EV 1T CR A C.3	81-8366 1H

* Consult Sales Dept. for operation with solutions having higher specific gravity.

OPTIONAL


DESCRIPTION	ADD TO MODEL NO.	ADD TO PRICE CODE NO.
OPTIONAL Motor - 230V / 1 ϕ / 50-60	-50	5
EPDM elastomers	Consult Sales Department	

See page 172 for priming chambers.

MODEL KEY

Series	Materials	Connections	Friction Surfaces	Spindle	R. Thrust	F. Thrust	Bearing	Mouth Ring	Impeller		Motor	HP
X40	PV	$\frac{5}{8}$ H = $\frac{5}{8}$ " hose barb	CRT CRYR CR	Ceramic	Rulon®/TFE	Rulon/TFE	Ceramic	—	A	to 1.1 S.G.	C.02	1/40
X50	PP / Viton	$\frac{1}{2}$ T = $\frac{1}{2}$ " MNPT							B	to 1.3 S.G.	C.06	1/15
X100	KV	$\frac{3}{4}$ H = $\frac{3}{4}$ " hose barb							C	to 1.5 S.G.	C.1	1/10
X200	100% PVDF/Viton	$\frac{3}{4}$ T = $\frac{3}{4}$ " MNPT							C.2	1/5		
X250	EV	1H = 1" hose barb							C.3	1/3		
X250	ETFE / Viton	1T = 1" MNPT										

GENERAL PRODUCT NOTES:

-  Caution: Consult chemical resistance guide to assure material / solution compatibility.
- Do not use with liquids having ferrous (magnetic) metal particles.
- Standard 100-110V/1 ϕ /50-60 Hz motors include 6 ft. cord with molded 60 Hz plug.
- PV and EV models are glass reinforced.