

Shown with optional discharge piping through mounting plate

### HIGH EFFICIENCY LOW ENERGY USAGE

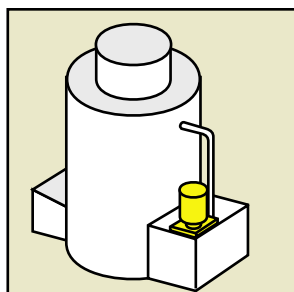
- **Non-metallic solution contact CPVC construction**  
to 160°F (71°C)  
(See a chemical resistance chart)
- **To 650 U.S. GPM or 175 FT.TDH @ 60 Hz**  
(2050 l/m or 42m @ 50 Hz)
- **Can run dry indefinitely, seal-less, no bearings**
- **Heavy duty PTFE vapor seal**  
Protects motor bearing and end bell.
- **In-tank or out-of-tank**
- **Chemical duty motor (7.5 - 20.0 HP)**  
Sealed oversized bearings. Cast iron end bells with vapor seal. Corrosion resistant epoxy enamel finish. Stainless steel nameplate. Service factor 1.15.
- **Includes PVC pump mounting plate**
- **Standard column lengths are 15" and 18"**

The **Series 'EHM' Vertical Pump** features a cantilevered CPVC sleeved stainless steel shaft with vapor seal between the rotating shaft and the support column to protect the motor. The cantilevered shaft eliminates bearings and conventional pump seals, resulting in a pump that can run dry without damage. A compound impeller prevents liquid from rising in the column while the fully-enclosed bottom impeller provides high hydraulic efficiency at low horsepower.

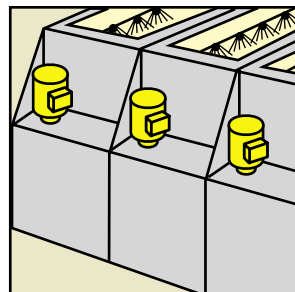
The pump drive shaft is stainless steel and is protected by a heavy duty CPVC impeller sleeve assembly.

A vapor seal between the rotating shaft and pump column protects the motor and motor bearings. The complete pump assembly features non-metallic solution contact.

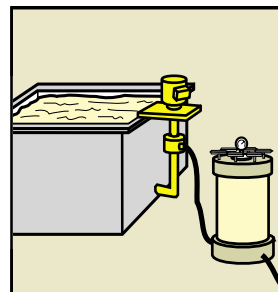
The pump length from the underside of the mounting plate to the suction inlet is available as 15" or 18". The high efficiency impeller provides "pump-down" capabilities to 9 ft. below the inlet using a suction extension. Viton® "O"-rings, discharge pipe assembly and suction strainer are available as options.



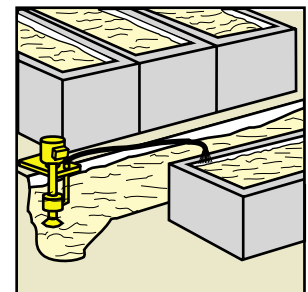
FUME SCRUBBING



PCB WET PROCESSING



OUT OF TANK PUMPING and FILTRATION



SUMP DRAINING and WASTE TREATMENT

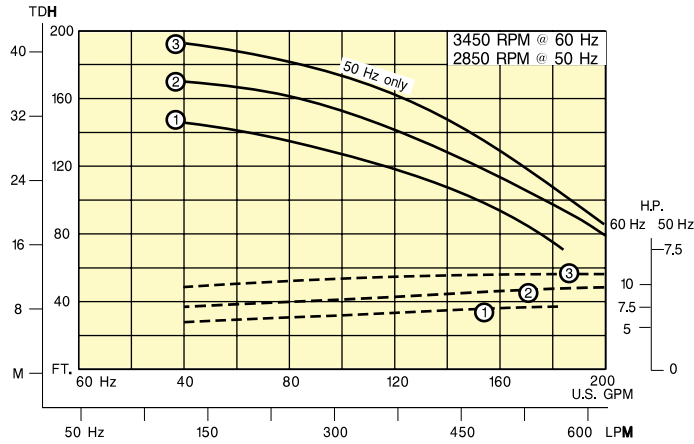
## SERIES 'EHM' Specifications

Pump models are constructed of CPVC with CPVC sleeved stainless steel shaft. The mounting plate is PVC and includes a PTFE vapor seal. Standard "O"-rings are EPDM (ethylene propylene). The compound design impeller is fully enclosed for maximum efficiency.

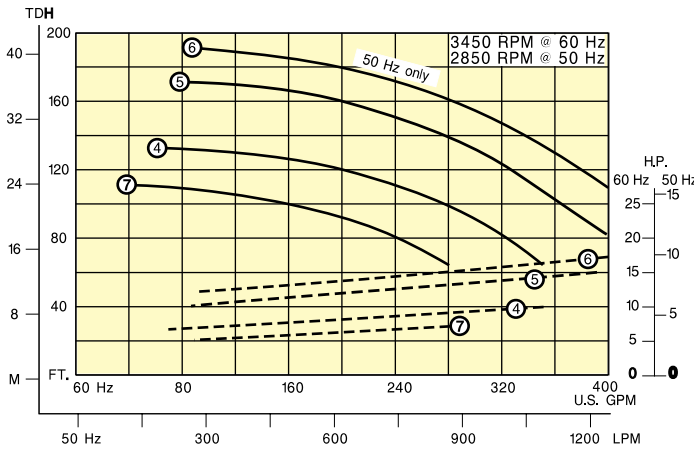
Series 'EHM' pumps offer non-metallic solution contact. The chemical duty motors are 208-230/460V/3/60 @ 3450 or 1725 RPM or 190-208/380-415V/3/50 @ 2850 or 1450 RPM, TEFC, NEMA "C" face, painted with two-part epoxy enamel. These pumps can be used with up to a 9 ft. (2.7 m) suction extension under certain conditions.

### PERFORMANCE

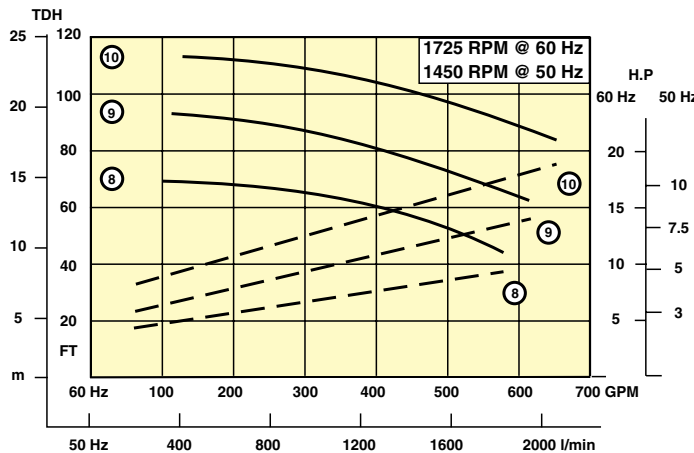
**EHM 1½**



**EHM 2**



**EHM 3**



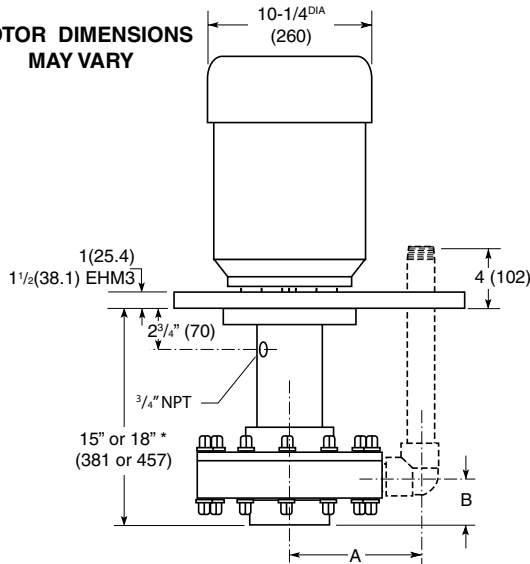
Performance ———  
Horsepower - - - - -

## SERIES 'EHM' Specifications and Ordering Information

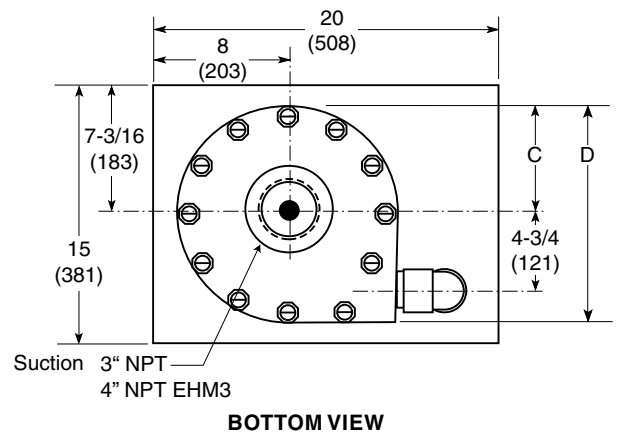
### DIMENSIONS Inches (mm)

MODEL	SUCTION	DISCH.	A	B	C	D
EHM 1 1/2	3" NPT	1 1/2" NPT	9 (229)	3-5/16 (84)	6 (152)	12-5/8 (321)
EHM 2	3" NPT	2" NPT	9-1 1/16 (243)	3-7/16 (87)	6-1/16 (154)	13 (330)
EHM 3	4" NPT	3" NPT	11 1/4 (286)	6-1/2 (165)	7-3/4 (197)	15-1/2 (394)

MOTOR DIMENSIONS  
MAY VARY



\* 18" dimension is for EHM LX 1 1/2,  
EHM LX2 and EHM3



EHM3 has 18" x 24" mounting plate  
with centerline discharge

### TO ORDER, use Price Code Number

**TABLE I**

For standard CPVC pump-motor combination, select model from **TABLE I**.  
For custom pump-motor combination, select from **TABLE II** on page 4.

Select flow curve number providing the desired performance. Then match to Model Number listed below.  
Motor HP is non-overloading at full capacity.

TYPICAL 60 Hz MODELS		
FLOW CURVE NO.	MODEL	PRICE CODE NO.
1	EHM 1 1/2-1SC-D7.5	45-1211
2	EHM 1 1/2-2SC-D10.0	45-1222
7	EHM 2-7SC-D7.5	45-1571
4	EHM 2-4SC-D10.0	45-1542
5	EHM 2-5SC-D15.0	45-1553
8	EHM 3-8SC-H10.0	45-1886
9	EHM 3-9SC-H15.0	45-1897
10	EHM 3-10SC-H20.0	45-1808

TYPICAL 50 Hz MODELS		
FLOW CURVE NO.	MODEL	PRICE CODE NO.
3	EHM 1 1/2-3SC-D7.5 (5.5kW)	45-1235
6	EHM 2-6SC-D10.0 (7.5kW)	45-1565
9	EHM 3-9SC-H10.0 (7.5kW)	45-1895 A
10	EHM 3-10SC-H15.0 (11.0kW)	45-1809

## SERIES 'EHM' Ordering Information

**TABLE II**

To determine pump model for a specified GPM, TDH, material and specific gravity, select performance point on curve. Determine required HP by moving vertically to corresponding number dotted line. Read required HP at right ordinate and multiply by S.G. Select pump, impeller and motor and construct Model and Price Code No.

**EXAMPLE:** PUMP + IMPELLER + MOTOR = PRICE CODE NO.  
 EHM 1½ + -1SC + -D7.5 = 45-1211

PUMP		
MODEL	MATERIAL	PRICE CODE NO.
EHM 1½	CPVC-15"	45-12
EHMLX 1½	CPVC-18"	45-16
EHM 2	CPVC-15"	45-15
EHMLX 2	CPVC-18"	45-17
EHM 3	CPVC-18"	45-18

IMPELLER					
FLOW CURVE NO.	ADD TO ...		FLOW CURVE NO.	ADD TO ...	
	MODEL	PRICE CODE NO.		MODEL	PRICE CODE NO.
1	-1SC	1	6	-6SC	6
2	-2SC	2	7	-7SC	7
3	-3SC	3	8	-8SC	8
4	-4SC	4	9	-9SC	9
5	-5SC	5	10	-10SC	0

MOTOR <sup>1</sup>			
VOLTAGE	STD. HP (kW)	ADD TO ...	
		MODEL NO.	PRICE CODE NO. <sup>1</sup>
208-230/460/3/60 3450 RPM	7.5	-D 7.5	1
	10	-D 10.0	2
	15 <sup>2</sup>	-D 15.0	3
208-230/460/3/60 1725 RPM	10	-H 10.0	6
	15	-H 15.0	7
	20	-H 20.0	8
190-208/38-415/3/50 2850 RPM	7.5 (5.5)	-D 7.5 (5.5)	4
	10 (7.5)	-D 10.0 (7.5)	5
190-208/38-415/3/50 1450 RPM	7.5 (5.5)	-H 7.5	4A
	10 (7.5)	-H 10.0	5A
	15 (11.0)	-H 15.0	9

MOTOR (NEMA) DIMENSIONS			
DIAMETER		HEIGHT	
INCHES	mm	INCHES	mm
10-¼	260	15-5/16	389
		15-5/16	389
		16-7/16	418
10-¼	260	16-5/8	422
		16-9/16	421
13	330	19-15/16	506
10-¼	260	14-9/16	370
		14-9/16	370
10-¼	260	14-9/16	370
		16-7/16	418
10-¼	260	17-1/16	433

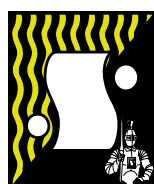
PUMP + MOTOR	
SHIPPING WEIGHTS	
LBS.	kg.
160	73
200	91
215	98
230	105
290	132
360	163
200	91
215	98
210	95
250	113
330	150

<sup>1</sup> To order pump without motor, use 0 for motor Price Code No.

### OPTIONAL

DESCRIPTION	ADD SUFFIX TO MODEL	ADD TO PRICE CODE NO.
Viton "O"-rings (installed)	V	V
Titanium shaft for extremely corrosive atmosphere. (installed)	T	T

DESCRIPTION	ADD SUFFIX TO MODEL	USE SEPARATE PRICE CODE NO.		
		EHM 1½	EHM 2	EHM 3
Discharge pipe assembly CPVC-15" CPVC-18"	DPA	45-1201	45-1202	-
		45-1208	45-1209	45-1241
Suction strainer	ST	45-1203		45-1242
Suction extension, CPVC	K12 K24 K36	46-0081	46-0089	
		46-0082	46-0090	
		46-0083	46-0091	



# SERFILCO, LTD.

2900 MacArthur Blvd. 847-509-2900  
 Northbrook, IL 60062-2005 U.S.A. 800-323-5431  
 e-mail: sales@serfilco.com FAX: 847-559-1995  
 www.serfilco.com

DISTRIBUTED BY