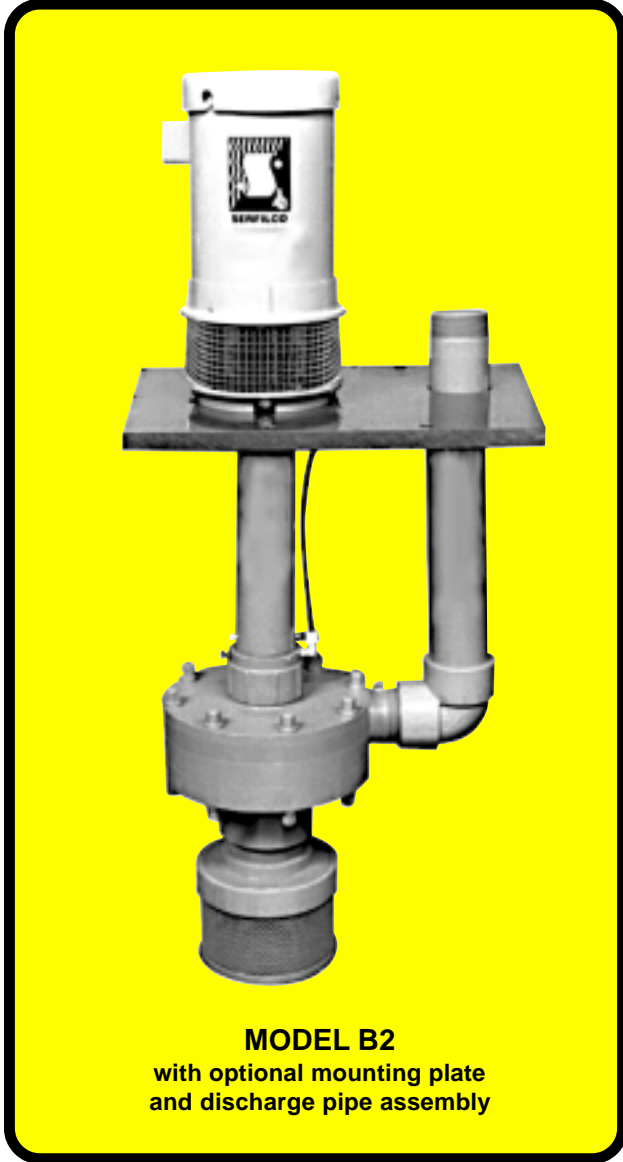


SERIES 'B' VERTICAL PUMPS

High efficiency and low energy usage for:

WASTES / ACIDS PLATING / CHEMICALS

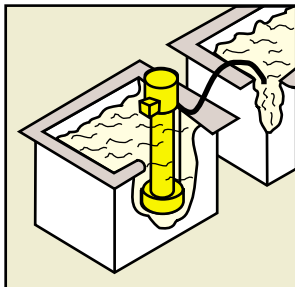


- **Flows to 370 U.S. GPM or 84 Ft. TDH @ 60 Hz**
(1150 LPM or 18.5M @ 50 Hz)
- **Pump lengths: 2 ft. to 12 ft. (.6M to 3.6M)**
- **Corrosion resistant, CPVC construction**
(See a chemical resistance chart)
- **Water or product lubricated bearings**
- **Chemical duty, 1725 RPM motor (1.0 - 10.0 HP)**
Sealed oversized bearings; cast iron end bells; liquid/vapor seal and slinger; corrosion resistant two-part epoxy finish; 1.15 service factor.
- **Centrifugal — quiet, vibration-free**
- **Shaft vapor seal protects motor bearings and atmosphere**

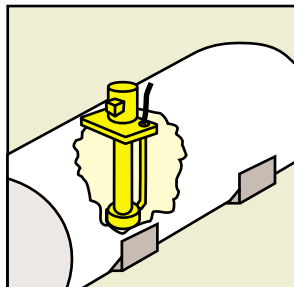
The Series 'B' Pump features corrosion resistant construction for deep sumps and demanding conditions. An oversized machined pump housing is utilized allowing for high flow rates using low RPM motors, thus extending pump life. A stainless steel shaft sleeved in CPVC offers unmatched strength and chemical resistance. A vapor seal between the rotating shaft and the pump column protects the motor and motor bearings.

The shaft bearing and liner are positively lubricated with the product being pumped or clean water from a separate source by means of the bleed line. A spiral flush groove in the rotating bearing ensures a uniform flow of liquid across the bearing surface. The bearing liner is made of a special fluoride-resistant ceramic.

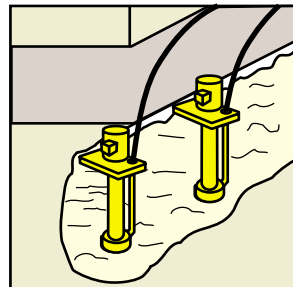
A suction extension can be utilized to pump to depths below impeller level. Thus, a shorter pump can be used, reducing shaft length and number of bearings required.



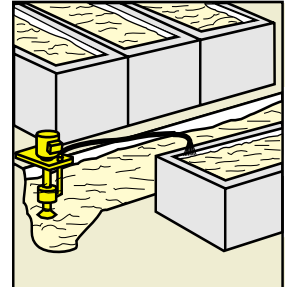
**CHEMICAL
TRANSFERRING**



STORAGE TANK

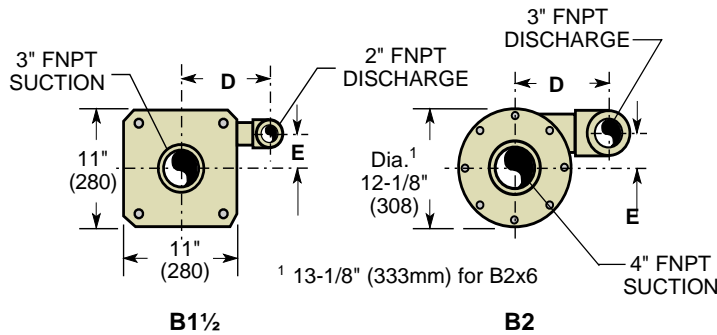
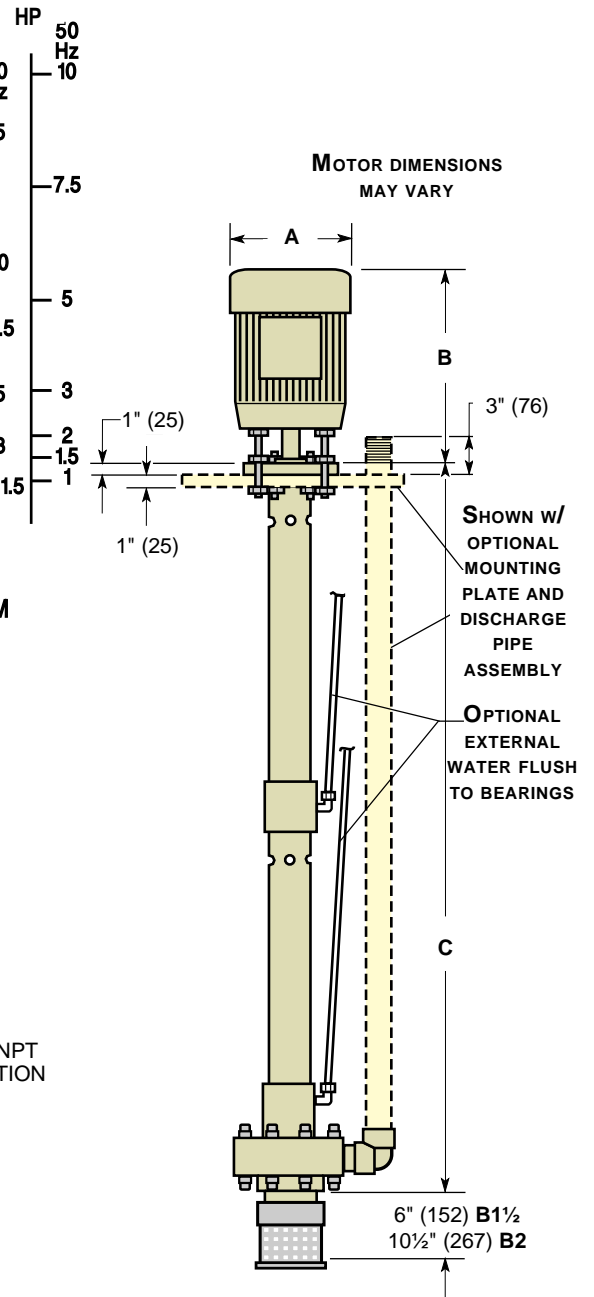
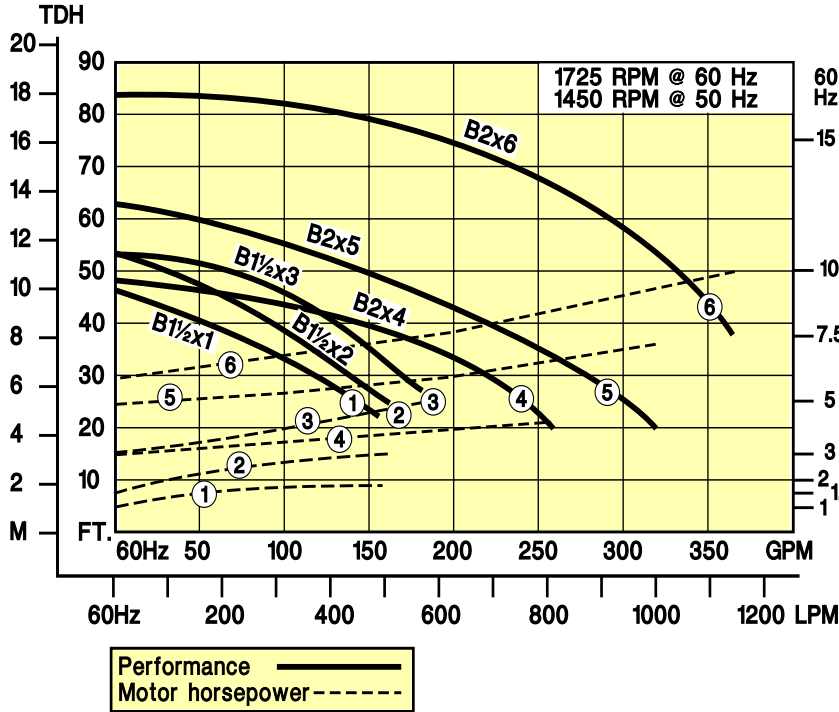


DEEP STANDBY PUMPING
when priming not possible



**SUMP DRAINING and
WASTE TREATMENT**

SERIES 'B' PUMPS Specifications



BOTTOM VIEWS

PUMP		DIMENSIONS Inches (mm)					HP	MOTOR FRAME	APPROX. SHIPPING WEIGHT ²	
MODEL	NPT CONNS.	A	B	C	D	E			Lbs.	(Kg.)
B1 1/2 x 1	3" x 2"	7 1/4 (184)	13 1/4 (236)	SELECT LENGTH	9 (229)	2-3/4 (70)	1.5	143TC	130	59
			14 1/4 (362)			2-7/8 (73)	2.0	145TC	135	61
B1 1/2 x 2	3" x 2"	7 1/4 (184)	14 1/4 (362)		2-7/8 (73)	2.0	145TC	140	64	
			8 1/2 (216)		15 1/2 (394)	3.0	182TC	145	66	
B1 1/2 x 3	3" x 2"	8 1/2 (216)	15 1/2 (394)		8-1/2 (216)	2-5/8 (67)	3.0	182TC	150	68
			17 1/4 (438)		11-1/8 (283)	3-3/16 (81)	5.0	184TC	170	77
B2 x 4	4" x 3"	8 1/2 (216)	17 1/4 (438)		11-1/8 (283)	3-3/16 (81)	5.0	184TC	170	77
B2 x 5	4" x 3"	10 1/4 (260)	18 (457)		11-5/8 (295)	3-3/4 (95)	7.5	213TC	190	86
B2 x 6	4" x 3"	10 1/4 (260)	19 (483)				10	213TC	200	91

² Add 4 1/2 lb. (2.0 kg.) per foot (.3M) of additional pump length above 2 feet (.6M).

SERIES 'B' PUMPS Ordering information

Standard models are constructed of CPVC with high purity chemical resistant graphite or Rulon® (glass filled PTFE) bearing and silica-free ceramic liner for fluoride resistance. Includes threaded suction and discharge. Models B1½ have polyethylene suction strainer, Models B2 have CPVC suction strainer. The "O"-rings are EPDM (Viton optional). Models B1½ have semi-enclosed impellers, Models B2 fully-enclosed impellers. Motors are "C" face, 1725 RPM, 230-460V/3/50-60, TEFC, chemical duty, painted

with two-part epoxy enamel. Pump shaft is 303 stainless steel sleeved in CPVC. Complete pump assembly offers non-metallic solution contact except titanium fasteners at each bearing (Hastelloy® C 257 optional). Pump lengths are available in one foot (.3M) increments. Bleed line provides water or pumped solution to bearings. (Each bearing requires 10 PSI.) All models wet-tested before shipment. Standard is external water flush. Product flush may be specified, or field converted.

TO ORDER, use Price Code Number

**For standard 24" - 60" pump-motor combinations, select model from TABLE I.
For custom pump-motor combination, select components from TABLE II.**

TABLE I

Select flow curve number providing the desired performance.
Then match to Model Numbers listed below.
Motor HP is non-overloading at full capacity.

CURVE NO.	24" PUMP		36" PUMP	
	MODEL	PRICE CODE NO.	MODEL	PRICE CODE NO.
1	B1½ x 1SCEY-24"C-CGL- * °F-H2.0	46-1024B	B1½ x 1SCEY-36"C-CGL- * °F-H2.0	46-1034B
2	B1½ x 2SCEY-24"C-CGL- * °F-H3.0	46-2024C	B1½ x 2SCEY-36"C-CGL- * °F-H3.0	46-2034C
3	B1½ x 3SCEY-24"C-CGL- * °F-H5.0	46-3024D	B1½ x 3SCEY-36"C-CGL- * °F-H5.0	46-3034D
4	B2 x 4SCEY-24"C-CGL- * °F-H5.0	46-4024D	B2 x 4SCEY-36"C-CGL- * °F-H5.0	46-4034D
5	B2 x 5SCEY-24"C-CGL- * °F-H7.5	46-5024E	B2 x 5SCEY-36"C-CGL- * °F-H7.5	46-5034E
6	B2 x 6SCEY-24"C-CGL- * °F-H10.0	46-6024F	B2 x 6SCEY-36"C-CGL- * °F-H10.0	46-6034F

CURVE NO.	48" PUMP		60" PUMP	
	MODEL	PRICE CODE NO.	MODEL	PRICE CODE NO.
1	B1½ x 1SCEY-48"C-CGL- * °F-H2.0	46-1044B	B1½ x 1SCEY-60"C-CGLx2- * °F-H2.0	46-1055B
2	B1½ x 2SCEY-48"C-CGL- * °F-H3.0	46-2044C	B1½ x 2SCEY-60"C-CGLx2- * °F-H3.0	46-2055C
3	B1½ x 3SCEY-48"C-CGL- * °F-H5.0	46-3044D	B1½ x 3SCEY-60"C-CGLx2- * °F-H5.0	46-3055D
4	B2 x 4SCEY-48"C-CGLx2- * °F-H5.0	46-4045D	B2 x 4SCEY-60"C-CGLx2- * °F-H5.0	46-4055D
5	B2 x 5SCEY-48"C-CGLx2- * °F-H7.5	46-5045E	B2 x 5SCEY-60"C-CGLx2- * °F-H7.5	46-5055E
6	B2 x 6SCEY-48"C-CGLx2- * °F-H10.0	46-6045F	B2 x 6SCEY-60"C-CGLx2- * °F-H10.0	46-6055F

* Include operating temperature in Model Number.

SERIES 'B' PUMPS Ordering information (cont'd)

TABLE II

Determine pump model for a specified GPM, TDH, pump length and bearing.

Select performance point on curve and size horsepower from corresponding number dotted line vertically above or below

performance point. Read required HP at right ordinate and multiply by specific gravity. Select pump model components and Price Code Number from Table II.

PUMP		
PUMP CURVE	MODEL NUMBER	PRICE CODE NO.
1	B1½ x 1SCEY	46-1
2	B1½ x 2SCEY	46-2
3	B1½ x 3SCEY	46-3
4	B2 x 4SCEY	46-4
5	B2 x 5SCEY	46-5
6	B2 x 6SCEY	46-6

- LENGTH (Dimension C)					
		NO. of BEARINGS		ADD TO . . .	
FT.	(M)	B1½	B2	MODEL NUMBER	PRICE CODE NO.
2	.6	1	1	- 24°C	02
3	.9	1	1	- 36°C	03
4	1.2	1	2	- 48°C	04
5	1.5	2	2	- 60°C	05
6	1.8	2	2	- 72°C	06
7	2.1	2	3	- 84°C	07
8	2.4	2	3	- 96°C	08
9	2.7	3	3	- 108°C	09
10	3.1	3	3	- 120°C	10
11	3.4	3	3	- 132°C	11
12	3.7	3	3	- 144°C	12

Read: "Tips for the successful operation of sump pumps". Request Bulletin TP-113.

-BEARING & LINER			
MATERIAL	NO. OF BRGS.	ADD TO . . .	
		MODEL NO.	PRICE CODE NO.
Ceramic & Graphite Max. 160°F	1	- CGL-__ °F	4
	2	- CGLx2-__ °F	5
	3	- CGLx3-__ °F	6
Ceramic & Rulon Max. 140°F	1	- CRL-__ °F	1
	2	- CRLx2-__ °F	2
	3	- CRLx3-__ °F	3

* Include operating temperature in Model Number.

- MOTOR			
TEFC , 230-460V/3/50-60 **			
RPM	HP (kw)	ADD TO . . .	
		MODEL NO.	PRICE CODE NO.
1725@ 60 Hz	1.0 (.75)	- H1.0	G
	1.5 (1.1)	- H1.5	A
	2.0 (1.5)	- H2.0	B
	3.0 (2.2)	- H3.0	C
1450@ 50 Hz **	5.0 (3.7)	- H5.0	D
	7.5 (5.6)	- H7.5	E
	10.0 (7.5)	- H10.0	F

** 230-380-415V/3/50
B2 Models are 230-460V/3/60 as standard

OPTIONAL

DESCRIPTION	ADD SUFFIX to MODEL NO.	ADD TO PRICE CODE NUMBER
Viton "O"-rings	-V	V
Hastelloy C 257 bearing fasteners	-HC	X
50 Hz - B2 Models	-5	5

Consult Sales Dept. for explosion-proof motors, custom pump stations, motor starters, level controls and Dri-Stop flow switch for bearing protection.

DESCRIPTION	ADD SUFFIX to MODEL NO.	USE SEPARATE PRICE CODE	
		B1½	B2
PVC mounting plate with CPVC discharge pipe assembly, same length as pump- (2" pipe on B1½, 3" on B2)			
Square- 24" x 24" x 1" thick (610 x 610 x 25.4mm)	-SD	46-0079	46-0107
Round- 24" diameter x 1" thick (610 diameter x 25.4mm)	-CD	46-0080	46-0108
Suction extension, CPVC pipe, threaded both ends	-K12" (308 mm)	46-0081	46-0089
	-K24" (610 mm)	46-0082	46-0090
	-K36" (915 mm)	46-0083	46-0091

Specifications subject to change without notice.