

# SERIES 'HH' HORIZONTAL PUMPS

## HIGH DISCHARGE HEAD PERFORMANCE

*For transfer pumping and recirculation of:*



**D. I. WATER / PHOTO PROCESSING  
PLATING / ETCHING / ELECTRONICS  
WATER TREATMENT / ACID TRANSFER**

- **Flows to 68 GPM or 167 ft. TDH @ 60 Hz**  
(215 LPM or 35m @ 50 Hz)
- **Non-metallic solution contact**  
CPVC - 140° max.  
PVDF - 200° max.  
(See a chemical resistance chart)
- **Single mechanical seal**  
Carbon/ceramic with EPDM or Viton elastomers
- **Connections:**  
1" MNPT inlet x ¾" MNPT outlet
- **Maximum solid size - .15" (3.8mm)**

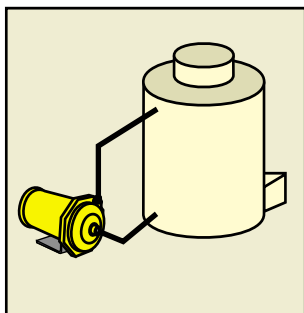
Series 'HH' pumps are molded of natural CPVC or natural PVDF. They feature a volute designed for high TDH at high efficiency and all around optimum performance. The unique sleeved impeller design and non-metallic internally mounted mechanical seal combine to provide a compact assembly offering non-metallic solution contact.

Five impeller diameters provide a full range of flow and head performance with efficient use of motor horsepower. Motors are standard NEMA 56C, TEFC. For explosion-proof motors, consult Sales Department.

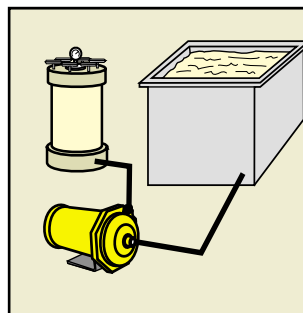
Pedestal mounted pump assemblies are available for ½ to 5 HP standard end bell motors. An optional long-coupled kit includes cast iron bearing, pedestal frame, flexible coupling, guard and FRP mounting channel.



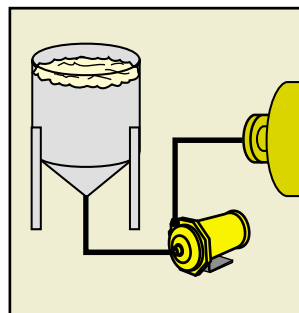
**Optional Pedestal Mounted**



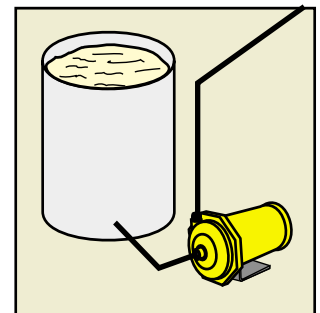
**FUME  
SCRUBBER**



**FILTRATION  
SYSTEM**



**CHEMICAL  
PROCESS**



**SOLUTION  
TRANSFER**

# SERIES 'HH' PUMPS Ordering information

**TO ORDER, use Price Code No.**

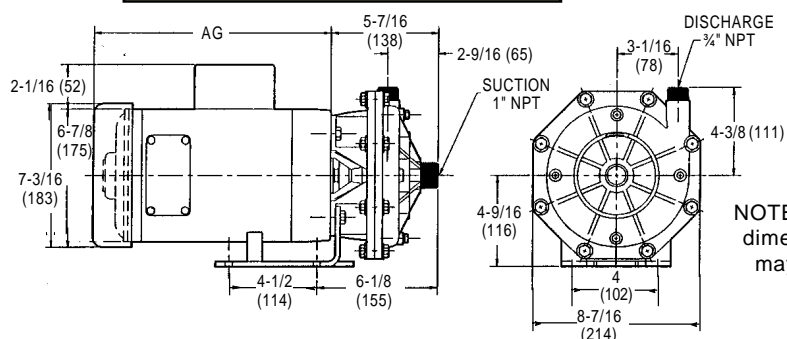
For standard pump-motor combination, select model from TABLE I.

For custom pump-motor combination, select from components in TABLE II or TABLE III.

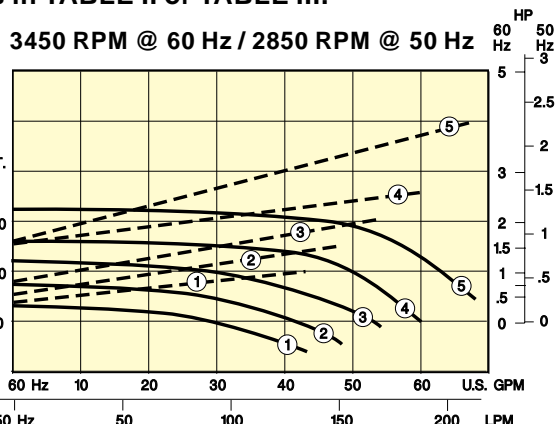
**TABLE I** Select pump-motor model or flow curve number providing the desired performance.

FLOW CURVE	CPVC PUMP w/EPDM MODEL NUMBER	PRICE CODE NO.
1	HH1x3/4C1L(M1)-D1.0	61-5111G
2	HH1x3/4C2L(M1)-D1.5	61-5121H
3	HH1x3/4C3L(M1)-D2.0	61-5131J
4	HH1x3/4C4L(M1)-D3.0	61-5141K
5	Long-coupled only. See TABLE III.	

**DIMENSIONS - Inches (mm)**



NOTE: Motor dimensions may vary



HORSE-POWER	MOTOR DIMENSIONS (AG)	
	Inches	mm
1/2	8-3/4	222
3/4	9-1/4	235
1	9-3/4	248
1-1/2	10-1/2	267
2	11-1/8	282
3	12-3/8	314

**TABLE II** To determine pump model for a specified GPM, TDH, material and specific gravity, select performance point on curve. Determine required HP by moving vertically to corresponding number dotted line. Read the required HP at right ordinate and multiply by S.G. Select pump, impeller and motor and construct Model and Price Code No.

Typical Model: HH1x3/4C1L(M1)-C.5 = Price Code No. 61-5111A

PUMP <sup>1</sup>		
MODEL	MATERIAL	PRICE CODE NO.
HH1x3/4C	CPVC	61-51
HH1x3/4K	PVDF	61-52

IMPELLER	
CURVE NUMBER	ADD TO MODEL & PCN
1	1
2	2
3	3
4	4
5	5

"O"-RING & MECHANICAL SEAL		
CARBON / CERAMIC &	ADD TO	
	MODEL	PCN
EPDM	L(M1)	1
VITON	V(M2)	2

MOTOR - TEFC <sup>2</sup> , 3450 RPM @ 60 Hz						
HP	SINGLE PHASE <sup>4</sup>		THREE PHASE <sup>4</sup>		MOTOR <sup>3</sup> SHIP. WT.	
	MODEL NO.	PRICE CODE NO.	MODEL NO.	PRICE CODE NO.	Lbs.	kg.
.5	C.5	A	D.5	E	18	8
.75	C.75	B	D.75	F	22	10
1.0	C1.0	C	D1.0	G	27	12
1.5	C1.5	D	D1.5	H	32	14
2.0	C2.0	L	D2.0	J	37	17
3.0	C3.0	—	D3.0	K	45	20
5.0	See TABLE III.				65	30

<sup>1</sup> To order pump only ( without motor ), delete motor suffix from Model Number and Price Code Number.

<sup>2</sup> For explosion-proof motors, consult Sales Department.

<sup>3</sup> For shipping weight of pump-motor assembly, add 5 lbs. (3 kg.) to motor ship. wt.

<sup>4</sup> Single phase - 115-208-230V/1/60 or 220-440V/1/50

Three phase - 208-230-460V/3/60 or 380-415V/3/50

For 50 Hz, add -50 to Model No. and add 5 to Price Code No.

A DRI-STOP<sup>®</sup> 3 Pump Protector switch is available to prevent damage to pump due to dry operation. Consult Bulletin A-105.

**TABLE III** 1. Select pump only from TABLE II above, e. g. HH1x3/4 C5V(M2)  
2. Select appropriate long-coupled kit from chart below.  
3. Select motor from chart at right.  
4. For factory assembly, add motor mounting and alignment, PCN 42-0204.  
5. To order above example: 61-5152 + 42-0201F + 44-7362 + 42-0204.

LONG-COUPLED KIT		
MODEL NUMBER	FOR MOTOR FRAME	PRICE CODE NO.
LCK-1	182/4 T	42-0201F
LCK-2	143/5 T	42-0202F
LCK-3	56	42-0203F

MOTOR <sup>3</sup> - TEFC, 3450 RPM @ 60 Hz			
HP	PRICE CODE NUMBER		MOTOR FRAME
	115-230V/1/60	230-460V/3/60	
.5	64-0761	64-0735	56
.75	64-0762	64-0736	56
1.0	64-0796	64-0737	56
1.5	64-0799	64-0738	56
2.0	64-0763	64-0739	56
3.0	—	44-7133	145T
5.0	—	44-7362	184T

Specifications subject to change without notice.