

# ADMIRAL<sup>®</sup> 'EOS' FILTRATION SYSTEMS

*For acid, alkaline or aqueous solutions*



## FEATURES

- Flow rates from 1800 to 4200 GPH
- Non-metallic solution contact  
Polypropylene, CPVC or PVDF with EPDM elastomers. Viton<sup>®</sup> elastomers optional.
- Runs dry without damage
- High filter surface area  
3 – 20", 30" or 40" cartridges
- Compact package
- Designed for reservoir installation
- Economical OEM replacement

## BENEFITS

- Improve finish goods quality, eliminate scrap and rework
- Reduce chemical consumption by maintaining solution quality
- Minimize downtime and maintenance with dry-run capable Series 'EO' pump and high surface area Series 'S' chamber
- Higher continuous flow and filter area than competitive systems
- Easy media change – no tools required

## SPECIFICATIONS

### SYSTEM:

ADMIRAL 'EOS' filtration systems consist of a vertical, dry-run capable pump, and a three column filter chamber for 3 – 20", 30" or 40" filter cartridges. The pump includes a suction strainer and is mounted with the chamber in a compact configuration using a common mounting plate. Systems are available in polypropylene, CPVC or PVDF.

### FILTER:

Industry proven for ease of service and reliability, the Series 'S' filter chamber will accommodate a variety of filter media including string wound, pleated, melt-blown or carbon cartridges. The ruggedly constructed chamber features a low pressure drop for long intervals of continuous high flow. The chamber includes a swing bolt cover closure with 'T'-handles, so no tools are required and cartridge changing is quick and convenient. Also included is a 0 - 30 psi gauge with guard and vent plug. The chamber features totally non-metallic solution contact and stainless steel external hardware.

### PUMP:

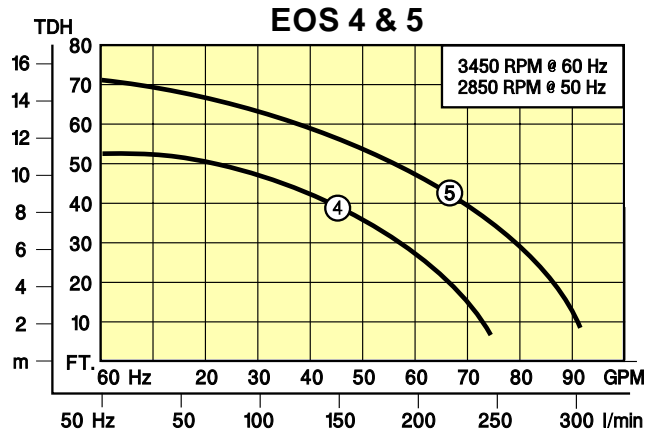
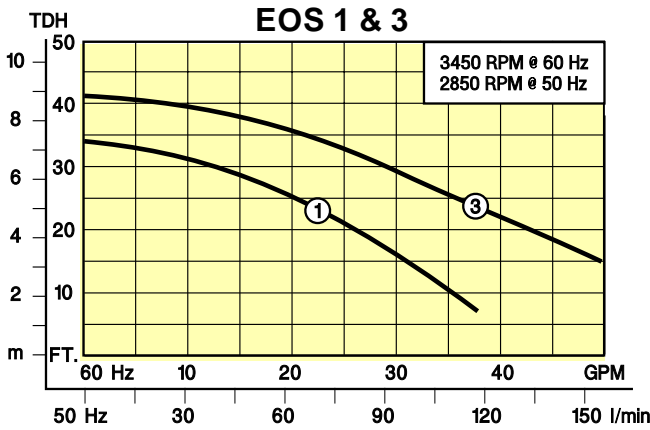
The Series 'EO' pump benefits from proven design features gained through over 40 years of experience in developing chemically resistant vertical pumps.

The unique design of this pump includes a fully sleeved stainless steel shaft threaded into a chemical duty motor. This eliminates weak shaft connections, pump bearings, spindles, bushings and liners, resulting in a chemical duty pump which can run dry indefinitely, providing years of trouble-free service.

A labyrinth and a TFE vapor seal between the rotating shaft and the support column protect the motor. The compound impeller prevents liquid from rising in the column, even at maximum TDH, while the fully enclosed bottom impeller provides efficient flow performance at low horsepower.

All models are injection molded of polypropylene, CPVC or 100% pure PVDF. The stainless steel shaft is fully sleeved with the same material from which the pump is constructed. Fasteners are stainless steel. The chemical duty motor has a stainless steel nameplate and is dual range 50 and 60 Hz.

# ADMIRAL 'EOS' FILTRATION SYSTEMS



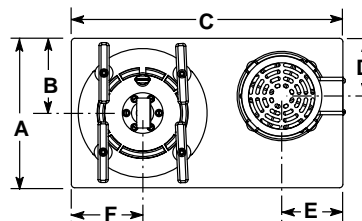
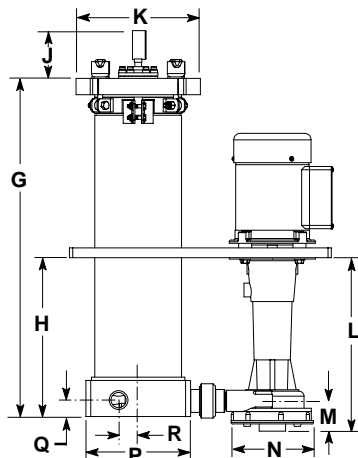
| MODEL     | DIMENSIONS (Inches) |    |    |    |                               |                               |                                |                                |                               |    |                                 |                                |                                |       |    |    |                     | CONNECTIONS |
|-----------|---------------------|----|----|----|-------------------------------|-------------------------------|--------------------------------|--------------------------------|-------------------------------|----|---------------------------------|--------------------------------|--------------------------------|-------|----|----|---------------------|-------------|
|           | A                   | B  | C  | D  | E                             | F                             | G*                             | H                              | J                             | K  | L                               | M                              | N                              | P     | Q  | R  |                     |             |
| EOS 1 & 3 | 11                  | 5½ | 20 | 4¼ | 4½                            | 5¼                            | 25 <sup>7</sup> / <sub>8</sub> | 12 <sup>1</sup> / <sub>8</sub> | 3 <sup>5</sup> / <sub>8</sub> | 9½ | 13 <sup>3</sup> / <sub>16</sub> | 2 <sup>5</sup> / <sub>16</sub> | 6 <sup>5</sup> / <sub>16</sub> | 8 sq. | 1¼ | 1½ | 1¼" FNPT x 1" FNPT  |             |
| EOS 4 & 5 | 12                  | 7  | 22 | 5  | 5 <sup>3</sup> / <sub>8</sub> | 5 <sup>3</sup> / <sub>8</sub> | 25 <sup>7</sup> / <sub>8</sub> | 12 <sup>1</sup> / <sub>8</sub> | 3 <sup>5</sup> / <sub>8</sub> | 9½ | 13 <sup>3</sup> / <sub>16</sub> | 2 <sup>5</sup> / <sub>16</sub> | 8 <sup>5</sup> / <sub>16</sub> | 8 sq. | 1¼ | 1½ | 1½" FNPT x 1¼" FNPT |             |

\* 35<sup>7</sup>/<sub>8</sub> for 9 cartridge models, 45<sup>7</sup>/<sub>8</sub> for 12 cartridge models.

| FLOW **                                   | HP  | MEDIA    | SYSTEM NUMBER |      |         | SHIPPING WT. Lbs. |    |
|-------------------------------------------|-----|----------|---------------|------|---------|-------------------|----|
|                                           |     |          | POLYPROPYLENE | CPVC | PVDF    |                   |    |
| <b>6 CARTRIDGE SYSTEMS (21 s. f. *)</b>   |     |          |               |      |         |                   |    |
| 1800                                      | .33 | 3 - 20"  | PPS6EO1       |      | CS6EO1  | KS6EO1            | 55 |
| 2400                                      | .75 |          | PPS6EO3       |      | CS6EO3  | KS6EO3            | 60 |
| 3300                                      | 1.0 | or       | PPS6EO4       |      | CS6EO4  | KS6EO4            | 65 |
| 4200                                      | 1.5 | 6 - 10"  | PPS6EO5       |      | CS6EO5  | KS6EO5            | 70 |
| <b>9 CARTRIDGE SYSTEMS (31.5 s. f. *)</b> |     |          |               |      |         |                   |    |
| 1800                                      | .33 | 3 - 30"  | PPS9EO1       |      | CS9EO1  | KS9EO1            | 55 |
| 2400                                      | .75 |          | PPS9EO3       |      | CS9EO3  | KS9EO3            | 60 |
| 3300                                      | 1.0 | or       | PPS9EO4       |      | CS9EO4  | KS9EO4            | 65 |
| 4200                                      | 1.5 | 9 - 10"  | PPS9EO5       |      | CS9EO5  | KS9EO5            | 70 |
| <b>12 CARTRIDGE SYSTEMS (42 s. f. *)</b>  |     |          |               |      |         |                   |    |
| 1800                                      | .33 | 3 - 40"  | PPS12EO1      |      | CS12EO1 | KS12EO1           | 55 |
| 2400                                      | .75 |          | PPS12EO3      |      | CS12EO3 | KS12EO3           | 60 |
| 3300                                      | 1.0 | or       | PPS12EO4      |      | CS12EO4 | KS12EO4           | 65 |
| 4200                                      | 1.5 | 12 - 10" | PPS12EO5      |      | CS12EO5 | KS12EO5           | 70 |

\* s. f. is square feet of surface area or dirt holding capacity with Valuwoound or Maxi-Depth filter cartridges (see Filter Media). Order cartridges separately.

\*\* Flow is GPH @ 60 Hz.



### TOP VIEW

Specifications subject to change without notice

| OPTIONAL                                     | ADD TO SYSTEM NO. |
|----------------------------------------------|-------------------|
| Viton® elastomers on filter chamber and pump | V                 |