



SERFILCO®

MERMAID® IN-TANK FILTRATION SYSTEMS

BULLETIN
F-505D
JAN. 1996

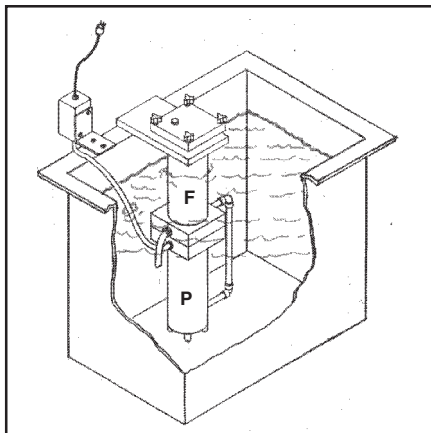


Submersible filtration system with seal-less magnetic-coupled pump for: GOLD AND OTHER PRECIOUS METAL SOLUTIONS

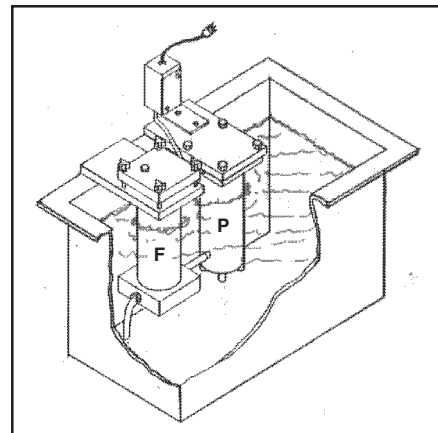
- **NON-METALLIC SOLUTION CONTACT**
Choice of:
Acrylic filter chamber to 140°F (60°C)
CPVC filter chamber to 165°F (74°C)
See Chemical Resistance Chart
- **SOLUTION FILTERED WITHIN TANK**
Eliminates any chance of solution loss.
- **FOR DEPTH WOUND, CARBON OR PLEATED
CARTRIDGES** (Ordered separately)
- **FLOW RATES TO 240 GPH**

The **SERFILCO MERMAID FILTRATION SYSTEM** is a compact pump/filter unit designed to provide removal of foreign solids and, with the use of carbon, organic impurities from plating baths. This compact system has flexibility, ease of installation, is self-priming

and offers tank turnover rates to ten times per hour on tanks up to 25 gallons, frequently eliminating the need for auxiliary agitation. The two and three cartridge models make it possible to clarify and purify simultaneously in the same chamber.



**Side mounted
in plating tank**



**Side by side in
shallow plating tank**

MERMAID FILTRATION SYSTEMS Specifications

The Mermaid system utilizes a submersible, seal-less magnetic-coupled pump constructed of polypropylene with EPDM "O"-rings for total solution containment. Pump is 4" in diameter. The TENV motor is self-contained in a polypropylene housing, 1/15 H.P., 3300 RPM, 115V/1/60 and is supplied

with 8 ft. of vinyl encased 3-wire extension cord. The filter chamber is available in three sizes with capacity for 1, 2 or 3 cartridges or canisters for resin or carbon. Supplied with polypropylene fittings and 6 ft. of 5/8" reinforced vinyl hose. 8 PSI is maximum pressure.

MODEL	FLOW RATE GPH	NUMBER OF CARTS. ¹	SURFACE AREA ² Sq. Ft.	DIMENSIONS L x W x H Inches	SHIPPING WEIGHT Lbs.
SAUL4 or SCL4	100	1 - 4"	1.4	5½ x 5 x 20	25
SAUL6 or SCL6	150	1 - 6"	2.0	5½ x 5 x 22	25
SAUL10 or SCL10	240	1 - 10"	3.5	5½ x 5 x 26	25
SAUL20 or SCL20	240	2 - 10"	7.0	5½ x 5 x 36	40
SAUL30 or SCL30	240	3 - 10"	10.5	5½ x 5 x 46	45

¹ Filter cartridges ordered separately.

² This figure represents dirt holding capacity of the cartridges as compared to surface type media.

TO ORDER:

ACRYLIC CHAMBER with POLYPROPYLENE PUMP	
MODEL	PRICE CODE NO.
SAUL4 ½P SPPV	AL.4AS
SAUL6 ½P SPPV	AL.6AS
SAUL10 ½P SPPV	AL1AS
SAUL20 ½P SPPV	AL2AS
SAUL30 ½P SPPV	AL3AS

CPVC CHAMBER with POLYPROPYLENE PUMP	
MODEL	PRICE CODE NO.
SCL4 ½P SPPV	CL.4AS
SCL6 ½P SPPV	CL.6AS
SCL10 ½P SPPV	CL1AS
SCL20 ½P SPPV	CL2AS
SCL30 ½P SPPV	CL3AS

OPTIONAL:

DESCRIPTION	ADD TO MODEL NO.	PRICE CODE NUMBER
Thermometer in cover - 60 - 220°F 0 - 120°C	-T	O- 2756
Motor starter w/overload protection, push button, NEMA 4 watertight, 115-230V/1/50-60 w/8 ft. of 3-wire extension cord, plug & vinyl coated steel mounting bracket.	-ST4	O- 0192
222 "O"-ring seat for SOE (single open end) flat top cartridge 10" and longer. Cross post not furnished.	-2	O- 222

F.O.B. Northbrook, Illinois



SERFILCO, LTD.

2900 MacArthur Blvd. 847-509-2900
 Northbrook, IL 60062-2005 U.S.A. 800-323-5431
 e-mail: sales@serfilco.com FAX: 847-559-1995
 www.serfilco.com

DISTRIBUTED BY