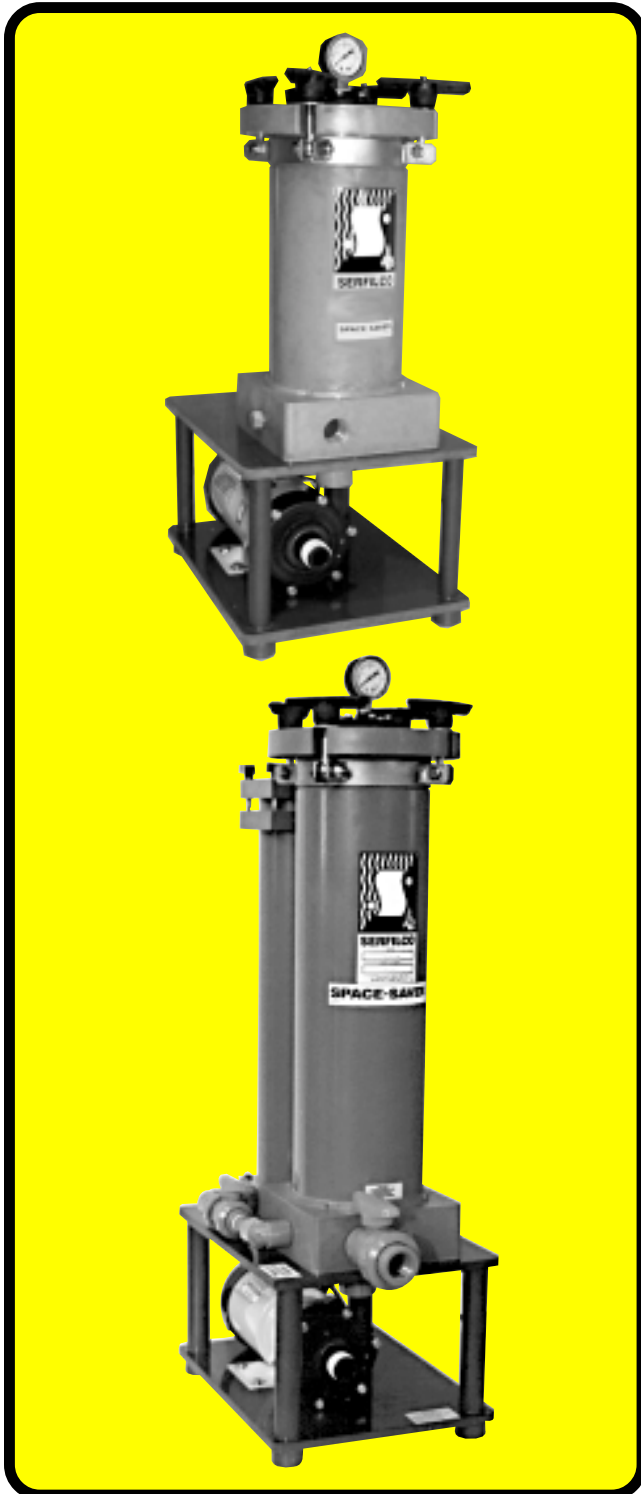


SPACE-SAVER® 'SX' FILTRATION SYSTEMS

COMPACT, HIGH FLOW FILTRATION, CARBON OR RESIN PURIFICATION

Flow rates to 1200 GPH @ 60 Hz



The SERFILCO Space-Saver 'SX' Series is engineered to provide reliable, high performance filtration in a small package.

These compact pump and filter systems are popular for use on small to medium size tank production in the electronics industry and in precious metal plating.

Featuring SERFILCO's new, non-metallic, leak-proof Series 'X' magnetic coupled pumps and industry proven Series 'S' filter chambers, these systems provide high flow and high turnover rates, assuring continuous particle removal. Space-Saver 'SX' systems are available with or without a carbon or resin purification chamber.

- **Seal-less magnetic drive pumps**

Space-Saver 'SX' filtration systems feature highly efficient seal-less magnetic coupled pumps for total solution containment and reliable performance. The pumps are available in polypropylene or ETFE.

- **Filter chamber**

Constructed of PVC, CPVC, polypropylene or PVDF to ensure chemical and temperature compatibility in a wide range of applications.

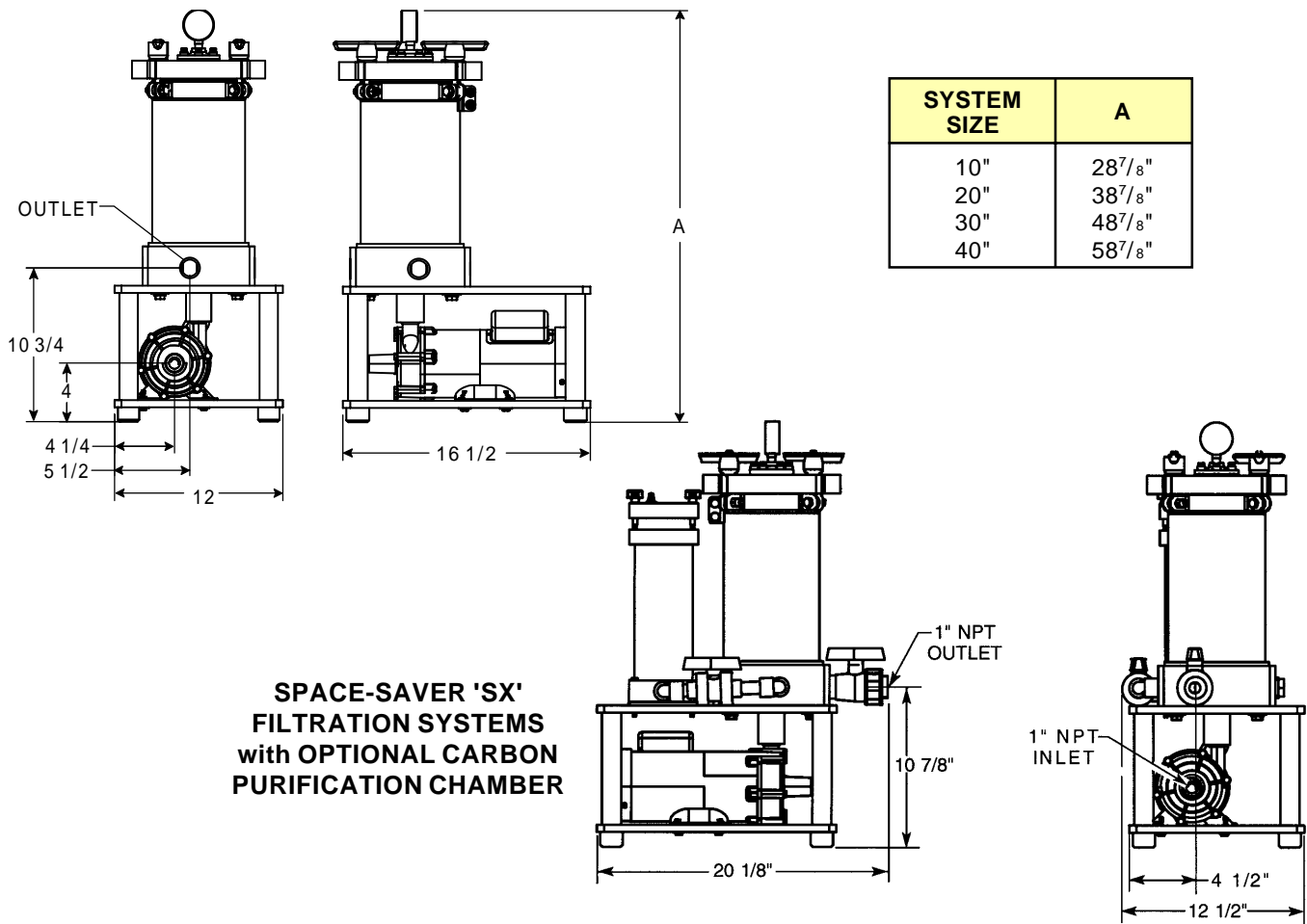
The standard chamber accepts double open end (DOE) depth wound, pleated, melt blown, cleanable sleeve and carbon cartridges. A 222 "O"-ring seat for single open end (SOE) cartridges is optional.

- **Simple carbon or resin treatment**

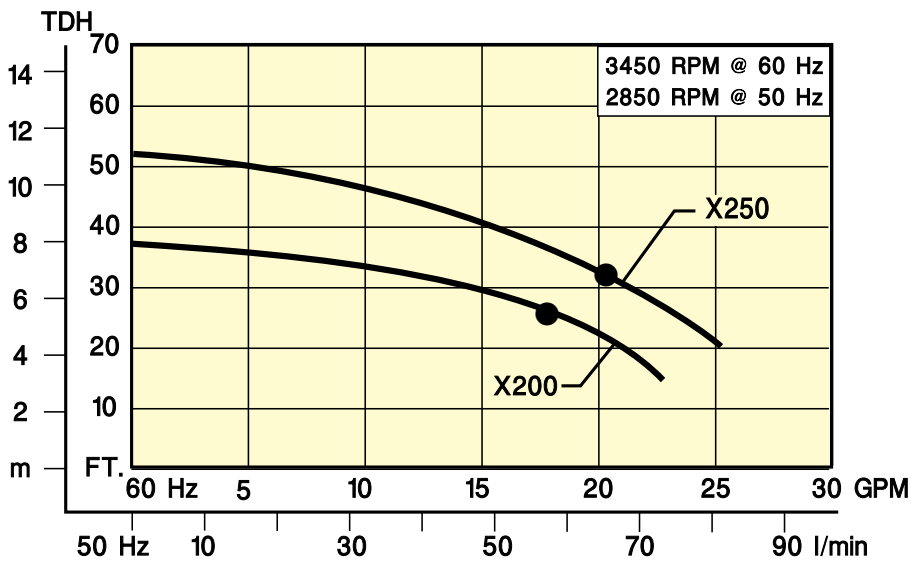
Space-Saver 'SX' systems are also available with optional purification chambers in PVC or CPVC with reusable ABS canister offering a low-cost, but effective method of continuously or periodically removing organic impurities from plating baths and other chemical solutions.

SPACE-SAVER 'SX' FILTRATION SYSTEMS Dimensions and performance

DIMENSIONS



PERFORMANCE



● Realistic system flow

SPACE-SAVER 'SX' FILTRATION SYSTEMS Specifications and ordering information

SPECIFICATIONS

Standard SPACE-SAVER 'SX' systems include:

- System flow rates to 1200 GPH
- Series 'X' magnetic coupled pump with 1" NPT connections
- Series 'S' filter chamber with 0 - 30 PSI pressure gauge and guard assembly.
- EPDM elastomers standard
- Corrosion resistant PVC hooded mounting base
- Stainless steel external fasteners
- Polypropylene vent valve or PVDF vent plug

PS PVC chamber with polypropylene pump *
PPS Polypropylene chamber and pump *

CS CPVC chamber and polypropylene pump *
KS PVDF chamber and ETFE pump *

* Consult a chemical resistance guide to confirm material / solution compatibility.

TO ORDER, use System Number

SYSTEM NO.				MEDIA ¹ No - lgth.	PUMP			CONNS.	SHIPPING WEIGHT (lbs.)
PS	PPS	CS	KS		MODEL	HP ²	FLOW ³		
PS3X200	PPS3X200	CS3X200	KS3X200	3 - 10"	X200	1/5	1000	1" NPT	40
PS6X200	PPS6X200	CS6X200	KS6X200	3 - 20"					45
PS9X200	PPS9X200	CS9X200	KS9X200	3 - 30"					50
PS12X200	PPS12X200	CS12X200	KS12X200	3 - 40"					55
PS3X250	PPS3X250	CS3X250	KS3X250	3 - 10"	X250	1/3	1200	1" NPT	45
PS6X250	PPS6X250	CS6X250	KS6X250	3 - 20"					50
PS9X250	PPS9X250	CS9X250	KS9X250	3 - 30"					55
PS12X250	PPS12X250	CS12X250	KS12X250	3 - 40"					60

¹ Order filter media separately.

³ U.S. GPH @ 60 Hz, see flow curve.

² Standard motors are 100-110V/1/50-60 with 6 ft. cord & 60 Hz plug.
 Optional 230V/1/50-60 motor available.

ACCESSORIES

CARBON PURIFICATION CHAMBER with flow control valve, hose & drain	PRICE CODE NO.	
	CPVC	PVC
Includes ABS mini-canister / CPVC or clear PVC chamber for 0.9 lbs. granular carbon 10" canister 2.1 lbs. granular carbon 20" canister 3.2 lbs. granular carbon 30" canister	O-C1CM O-C2CM O-C3CM	O-P1CM O-P2CM O-P3CM
Includes CPVC or clear PVC chamber for 1.2 lbs. bulk granular carbon 2.5 lbs. bulk granular carbon 3.8 lbs. bulk granular carbon	O-C1C O-C2C O-C3C	O-P1C O-P2C O-P3C
Includes CPVC or clear PVC chamber for 0.6 lbs. 10" carbon cartridge 1.2 lbs. 20" carbon cartridge 1.8 lbs. 30" carbon cartridge	O-C1CC O-C2CC O-C3CC	O-P1CC O-P2CC O-P3CC

DESCRIPTION	ADD TO SYSTEM NO.
Viton elastomers on filter chamber and pump	V
Optional motor 230V/1/50-60	-5

See page 172 for Priming Chambers.

Specifications subject to change without notice.