

BAG FILTER CHAMBERS

**For filtration & purification
of process solutions:**

**WATER TREATMENT / FOOD PROCESSING
CLEANING / PHOTOGRAPHIC
ELECTROPLATING / PHARMACEUTICAL
CHEMICAL / PETROCHEMICAL / BEVERAGE**

These filter chambers are designed for filtering process solutions where clarification will extend operating life and improve quality.

FEATURES:

- **Non-metallic solution contact**
PVC, CPVC, polypropylene or PVDF
EPDM 'O'-ring (Viton® optional)
(See a chemical resistance chart)
- **Sizes to 12 square feet (1.1m)**
For flow rates to 100 GPM (378 LPM)
Connections 1" - 1½"
- **Polypropylene filter bags**
1, 5, 10, 25, 50 & 100 micron
- **Easy-to-service**
Swing bolt or tie rod cover closure with tee handles
Quick-connect coupling at filter inlet:
Polypropylene for PL, CL and PPL models
PVDF models have PVDF hose barb
- **Series 1230 & 1250 include vent valve & pressure gauge**



**SERIES
1230 & 1250**

**SERIES
630 & 640**

SERIES 630, 640, 1230 and 1250

TO ORDER, use Price Code Number

DESCRIPTION	
PL	630 & 640: PVC shell sealed to base. CPVC base and cover. 1230 & 1250: PVC shell with hold-down assembly. CPVC base, PVC cover. All models: Stainless steel swing bolts with tee handles.
CL	630 & 640: CPVC shell sealed to base. 1230 & 1250: CPVC shell with hold-down assembly. All models: CPVC base & cover. Stainless steel swing bolts with tee handles.
PPL	630 & 640: Polypropylene shell sealed to base. Glass reinforced polypropylene base and cover. Stainless steel tie rods with tee handles.
KL	630 & 640: PVDF shell sealed to base. PVDF base and cover. Stainless steel tie rods with tee handles.

SERIES NUMBER	CHAMBER MODEL NUMBER	SURFACE AREA		PORTS NPT	MAXIMUM FLOW RATE		PRICE CODE NO.
		ft. ²	m ²		GPM	LPM	
630	PL630BFS-1	3.5	.3	1"	40	151	78-0909
	CL630BFS-1						78-0902
	PPL630BFS-1						78-0918
	KL630BFS-1						78-1401
640	PL640BFS-1	5.0	.5	1"	40	151	78-0913
	CL640BFS-1						78-0914
	PPL640BFS-1						78-0915
	KL640BFS-1						78-1402
1230	PL1230BFS-1½-G3A	7.5	.7	1½"	80	303	78-0911
	CL1230BFS-1½-G3A						78-0903C
1250	PL1250BFS-1½-G3A	12.0	1.1	1½"	100	454	78-0912
	CL1250BFS-1½-G3A						78-0904C

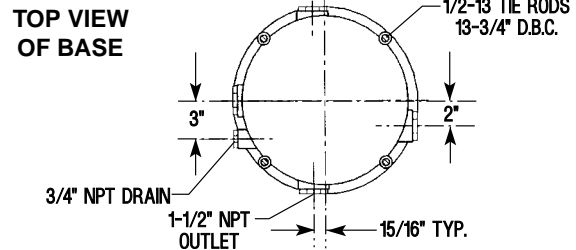
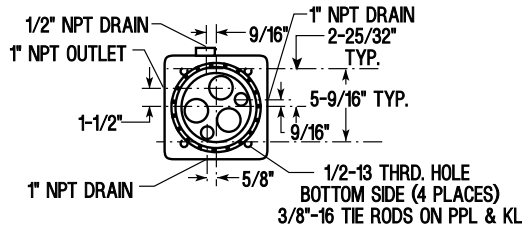
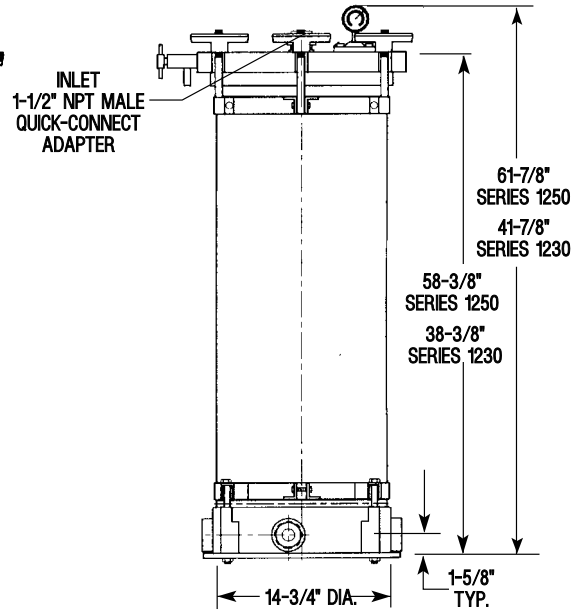
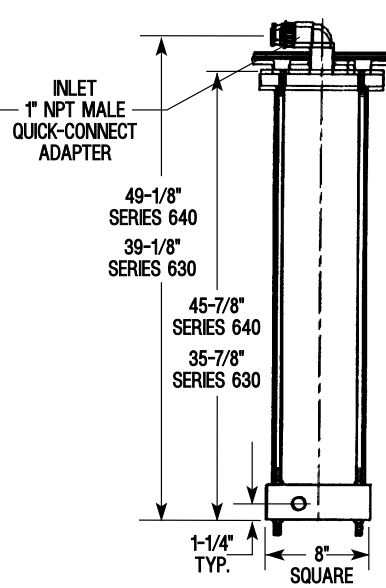
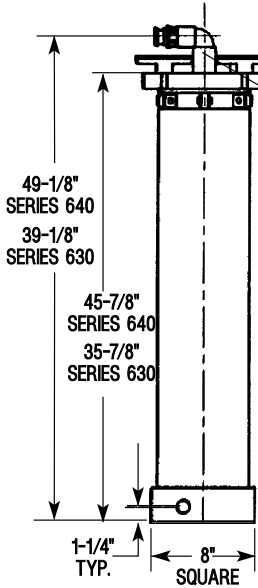
BAG FILTER CHAMBERS (cont'd)

SERIES 630, 640, 1230 and 1250

MODELS: PL & CL

MODELS: PPL & KL

MODELS: PL & CL



TO ORDER POLYPROPYLENE FILTER BAGS (630 & 640 have EPDM seal rings; 1230 & 1250 have polypropylene seal rings.)

NOMINAL MICRON RATING	FOR 630 CHAMBERS		FOR 640 CHAMBERS		FOR 1230 CHAMBERS		FOR 1250 CHAMBERS	
	PRICE CODE NO.	MODEL NUMBER	PRICE CODE NO.	MODEL NUMBER	PRICE CODE NO.	MODEL NUMBER	PRICE CODE NO.	MODEL NUMBER
1	88-0832G	FB-PP01x3.5	88-1476F	FB-PP01x5	88-0854F	FB-PP01x7.5	88-0851F	FB-PP01x12
5	88-0832A	FB-PP05x3.5	88-1476A	FB-PP05x5	88-0854A	FB-PP05x7.5	88-0851A	FB-PP05x12
10	88-0832B	FB-PP10x3.5	88-1476B	FB-PP10x5	88-0854B	FB-PP10x7.5	88-0851B	FB-PP10x12
25	88-0832C	FB-PP25x3.5	88-1476C	FB-PP25x5	88-0854C	FB-PP25x7.5	88-0851C	FB-PP25x12
50	88-0832E	FB-PP50x3.5	88-1476E	FB-PP50x5	88-0854E	FB-PP50x7.5	88-0851E	FB-PP50x12
100	88-0832D	FB-PP100x3.5	88-1476D	FB-PP100x5	88-0854D	FB-PP100x7.5	88-0851D	FB-PP100x12

OPTIONAL

DESCRIPTION	PL & CL	PRICE CODE NO.	PPL	PRICE CODE NO.	KL	PRICE CODE NO.
Conversion Kit - To change from a bag filter housing to a cartridge filter. Kit includes all required components.	630	78-1345	630	78-1347	630	78-1609
	640	78-1346	640	78-1348	640	78-1610
	1230	78-1349	—	—	—	—
	1250	78-1350	—	—	—	—
G2 Pressure Gauge	630 & 640	O-2902	630 & 640	O-2903	630 & 640	O-2904
Viton 'O'-ring	Change L to V in Model Number, add V to Price Code Number.					
Models 1230 and 1250 include pressure gauge assembly (G3A).						

Specifications subject to change without notice