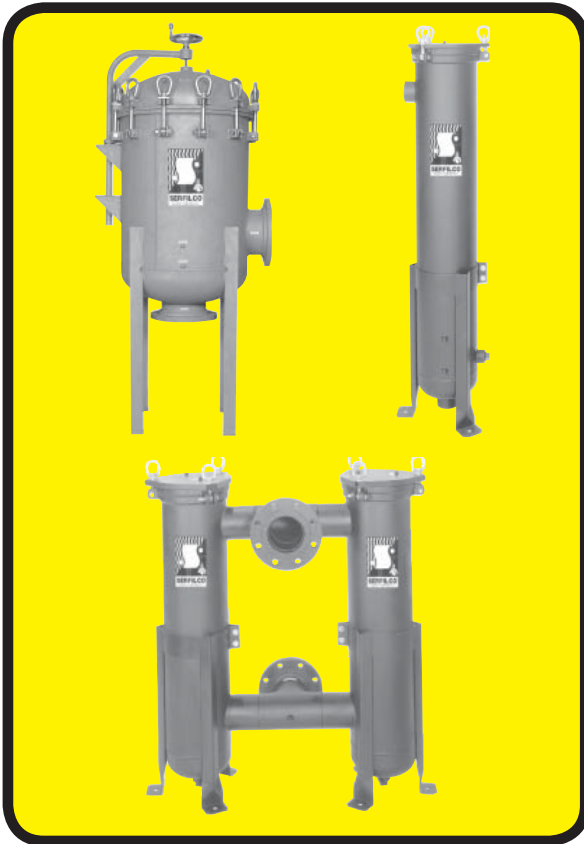




SERFILCO®

SERIES 'K' METAL CARTRIDGE & BAG FILTER CHAMBERS

BULLETIN
C-207C
JULY 2005



PROCESS WATER / CLEANERS PARTS WASHERS / CHEMICALS

- Carbon steel, 304 or 316 stainless steel construction
- Large capacity
 - 448 cartridge
 - 26.4 sq. ft multi-bag
- 150 PSI OR 300 PSI pressure rating
- Swing bolt cover closure
- Consult Sales Department for options

The Series 'K' Metal Filter Chambers provide excellent value and are available in either a cartridge or bag design and with a choice of carbon steel, 304 or 316 stainless steel construction. Cartridge chambers range in size from a single 10" cartridge to 448-10" cartridge capacity. Bag chambers are from 0.5 sq. ft. to 26.4 sq. ft. of surface area.

These chambers are ideal for either recirculatory or single pass filtration in either series or parallel flow configurations. The wide range of sizes, styles and options means that due to chemical compatibility or temperature considerations require a metal filter chamber

CARTRIDGE CHAMBERS



SINGLE, 3 & 6 - ROUND CARTRIDGE CHAMBERS

FEATURES:

- Carbon steel or stainless steel construction
- EPDM elastomers standard (Viton® optional)
- Swing bolt cover closure with eye nuts
- 300 PSI pressure rating (single)
150 PSI pressure rating
(3-round and 6-round)
- 316 SS internals
- Differential, drain, and vent ports
- Adjustable support legs
- 2-part epoxy finish on carbon steel

SERIES 'K' METAL CARTRIDGE FILTER CHAMBERS

TO ORDER, use Price Code Number

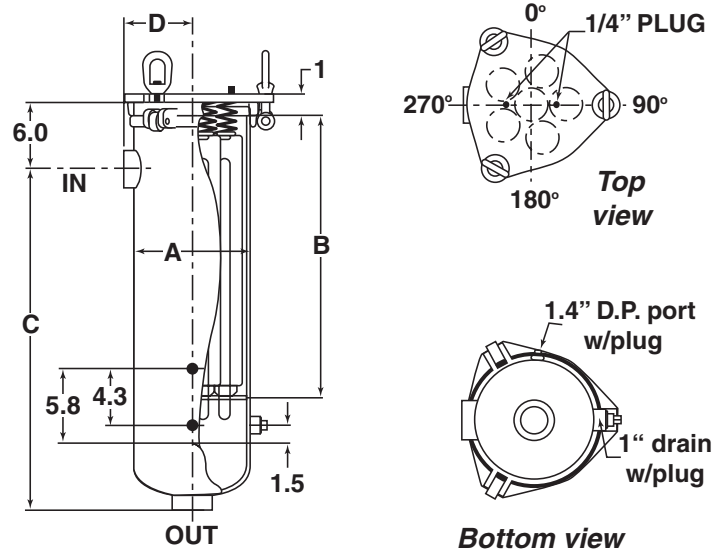
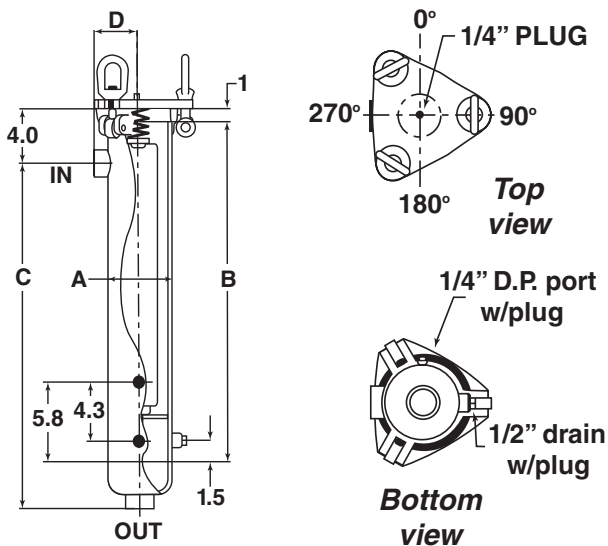
MODEL NUMBER ^{1,2}	NUMBER OF 10" CARTS.	CONN. SIZE	PRICE CODE NO. ^{1,2}	DIMENSIONS (in)				SHIP WT. (lbs)
				A	B	C	D	
SINGLE CARTRIDGE CHAMBERS								
KCS10S-1	1	1" NPT	78-1850	4.5	12.5	14.7	3.5	34
KCS20S-1	2		78-1851	4.5	22.5	24.7	3.5	42
KCS30S-1	3		78-1852	4.5	32.5	34.7	3.5	50
KCS40S-1	4		78-1853	4.5	42.5	44.7	3.5	58
3-ROUND CHAMBERS								
KCS60(2)S-1 1/2	6	1 1/2" NPT	78-1854	6.6	24.5	23.8	4.1	85
KCS90(3)S-1 1/2	9		78-1855	6.6	34.5	33.8	4.1	110
KCS120(4)S-1 1/2	12		78-1856	6.6	44.5	43.8	4.1	135
6-ROUND CHAMBERS								
KCS120(2)S-2	12	2" NPT	78-1857	8.6	24.5	23.8	5.4	120
KCS180(3)S-2	18		78-1858	8.6	34.5	33.8	5.4	145
KCS240(4)S-2	24		78-1859	8.6	44.5	43.8	5.4	170

¹ Model and Price Code Number shown for carbon steel construction.
 - for 304 SS change **first S** in Model No. to **4SS** and add **S4** to Price Code No.
 - for 316 SS change **first S** in Model No. to **6SS** and add **S6** to Price Code No.

² For Viton elastomers, add **-V** to Model No. and **V** to Price Code No.

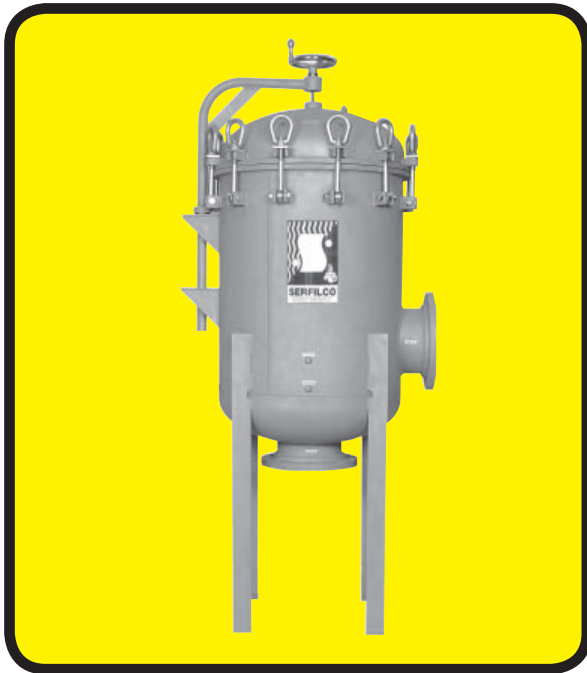
SINGLE

3-ROUND and 6-ROUND



SERIES 'K' METAL CARTRIDGE FILTER CHAMBERS

MULTI-ROUND CARTRIDGE CHAMBERS



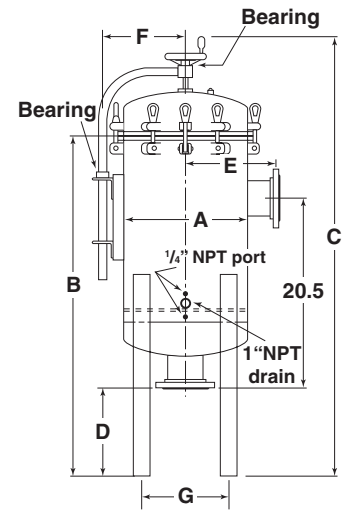
FEATURES:

- Carbon steel or stainless steel construction
- EPDM elastomers standard (Viton optional)
- Bearing assisted davit assembly
- Swing bolt cover closure with eye nuts
- 150 PSI pressure rating
- 316 SS internals
- Differential, drain and vent ports
- Heavy duty support legs
- 2-part epoxy finish on carbon steel

Consult Sales Department for options
Filter cartridges ordered separately
see Bulletin M-109

TO ORDER, use Price Code Number

MODEL NUMBER ^{1,2}	NO. OF 10" CARTS.	DIA. A (in)	CONN. SIZE FLANGE	PRICE CODE NO ^{1,2}	DIMENSIONS (in)			SHIP WT (lbs)
					B	C	D	
KCS330(3)S-3F	33	12	3"	78-1860	54.7	70.9	10.0	410
KCS440(4)S-3F	44	12	3"	78-1861	64.7	80.9	12.5	420
KCS600(3)S-4F	60	16	4"	78-1862	55.7	71.9	10.0	480
KCS800(4)S-4F	80	16	4"	78-1863	65.7	81.9	12.5	490
KCS1040(4)S-4F	104	18	4"	78-1864	66.2	81.4	12.5	545
KCS1500(3)S-6F	150	24	6"	78-1865	57.2	73.4	12.5	635
KCS2000(4)S-6F	200	24	6"	78-1866	67.2	83.4	16.5	645
KCS2340(3)S-6F	234	30	6"	78-1867	57.9	74.1	12.5	705
KCS3360(3)S-8F	336	36	8"	78-1868	60.5	76.4	16.5	1010
KCS4480(4)S-8F	448	36	8"	78-1869	70.5	86.4	20.7	1150



¹ Model and Price Code Number shown for carbon steel construction.

- for 304 SS change **first S** in Model No. to **4SS** and add **S4** to Price Code No.
- for 316 SS change **first S** in Model No. to **6SS** and add **S6** to Price Code No.

² For Viton elastomers add **-V** to Model No. and **V** to Price Code No.

DIA. A	E	F	G
12"	11.0	9.2	10.0
16"	13.0	10.8	11.5
18"	14.0	11.8	12.0
24"	17.0	14.8	16.5
30"	20.0	17.8	20.8
36"	25.0	20.8	24.7

SERIES 'K' METAL BAG FILTER CHAMBERS

BAG CHAMBERS

SINGLE BAG CHAMBERS

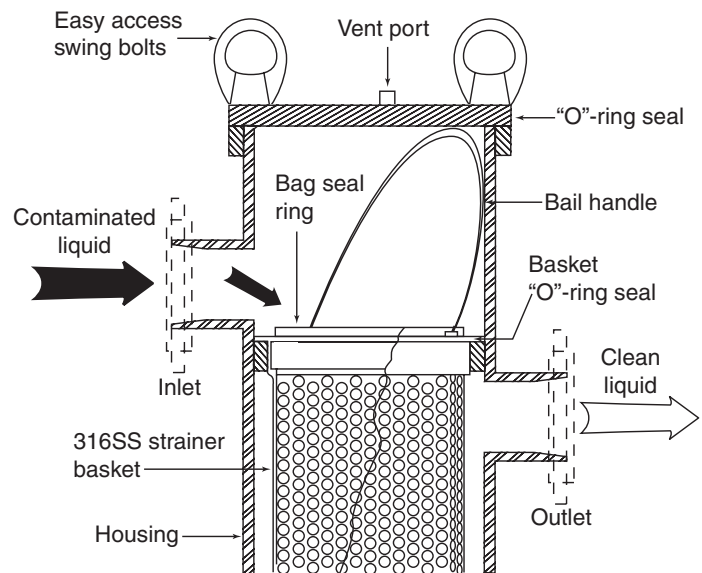


Single Bag
Chambers
4", 6", 8" Dia.

FEATURES:

- Carbon steel or stainless steel construction
- EPDM elastomers standard (Viton optional)
- Swing bolt cover closure with eye nuts
- 300 PSI pressure rating (4" dia.)
150 PSI pressure rating (6" & 8" dia.)
- 316 SS strainer basket
- Differential, drain and vent ports
- Adjustable support legs
- 2-part epoxy paint on carbon steel

Consult Sales Department for options
Filter bags ordered separately



KBS6 & KBS8

SERIES 'K' METAL BAG FILTER CHAMBERS

SPECIFICATIONS

Housing lid has a 3-bolt swing closure with a vent port. Connections are as noted with standard side inlet and bottom outlet.

Housing is supplied with two differential pressure ports to measure the differential pressure across the filter bag. A two-part epoxy finish is applied on the carbon steel vessels to maximize the life of the housing; stainless steel vessels are supplied with a

satin finish. Basket material is constructed of 316 stainless steel with 9/64" perforations to act as a strainer or to accept a liquid filter bag. Basket for KBS6 and KBS8 chamber seats onto an "O"-ring in the basket support. Adjustable tripod leg assembly is supplied with housing.

KBS4 chamber is rated at 300 PSI. KBS6 and KBS8 chambers are rated at 150 PSI.

TO ORDER, use Price Code Number

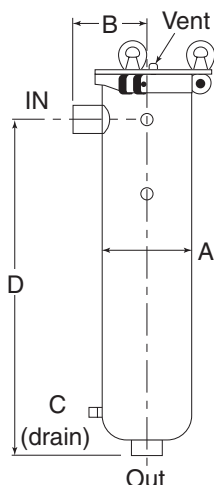
MODEL NUMBER ^{1,2}	SURFACE AREA (sq. ft.)	DIA. A (in)	BASKET SIZE (in)	CONN. SIZE	PRICE CODE NO. ^{1,2}
KBS406-1	0.5	4.5	3.9 x 6 (#3)	1" NPT	78-1800
KBS412-1	1.0	4.5	3.9 x 12 (#4)	1" NPT	78-1801
KBS618-1 1/2	2.0	6.6	5 x 18 (#8)	1 1/2" NPT	78-1802
KBS630-1 1/2	3.4	6.6	5 x 30 (#9)	1 1/2" NPT	78-1803
KBS815-2	2.3	8.6	6.7 x 15 (#1)	2" NPT	78-1804
KBS830-2	4.4	8.6	6.7 x 30 (#2)	2" NPT	78-1805

¹ Model and Price Code Number shown for carbon steel construction.

- for 304 SS change **S** in Model No. to **4SS** and add **S4** to Price Code No.

- for 316 SS change **S** in Model No. to **6SS** and add **S6** to Price Code No.

² For Viton elastomers, add **-V** to Model No. and **V** to Price Code No.



**Threaded (NPT)
Bottom outlet**

MODEL NUMBER	DIMENSIONS (in)			SHIP WT. (lbs)
	B	C	D	
KBS406-1	3.0	0.5	12.3	35
KBS412-1	3.0	0.5	17.5	40
KBS618-1 1/2	4.2	.75	25.3	90
KBS630-1 1/2	4.2	.75	35.2	115
KBS815-2	5.3	1.0	24.7	115
KBS830-2	5.3	1.0	36.2	135

Side outlet and flanged connections also available

SERIES 'K' METAL BAG FILTER CHAMBERS

MULTI-ROUND BAG CHAMBERS



FEATURES:

- Carbon steel or stainless steel construction
- EPDM elastomers standard (Viton optional)
- Uses multiple #2 size bags
- Bearing assisted davit assembly
- Swing bolt cover closure with eye nuts
- 150 PSI pressure rating
- 316 SS strainer basket
- Differential, drain and vent ports
- Heavy duty support legs
- 2-part epoxy finish on carbon steel

Consult Sales Department for options
Filter bags ordered separately

TO ORDER, use Price Code Number

MODEL NUMBER ^{1,2}	SURF. AREA ³ (sq.ft)	NUMBER OF BASKETS	DIA. A (in)	CONN. SIZE FLANGE	PRICE CODE NO. ^{1,2}	DIMENSIONS (in)						SHIP WT. (lbs)
						B	C	D	E	F	G	
KBS1830-3F	8.8	2	18	3"	78-1810	43.0	59.0	5.8	11.0	11.9	12.0	435
KBS2230-4F	13.2	3	24	4"	78-1811	52.0	70.0	6.5	14.5	15.0	16.5	555
KBS2430-4F	17.6	4	24	4"	78-1812	52.5	70.0	6.5	14.5	15.0	16.5	590
KBS3030-6F	26.4	6	30	6"	78-1813	50.5	71.0	8.0	19.1	18.0	20.8	850

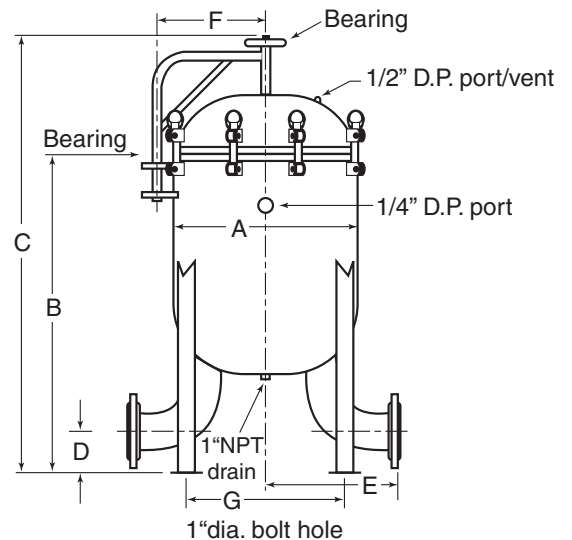
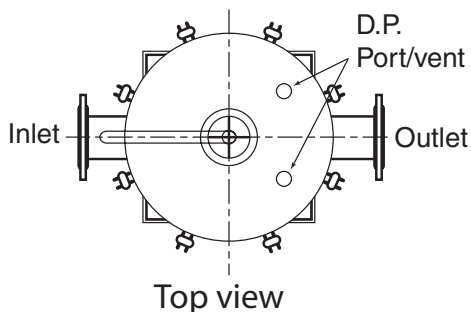
¹ Model and Price Code Number shown for carbon steel construction.

- for 304 SS change **S** in Model No. to **4SS**
and add **S4** to Price Code No.

- for 316 SS change **S** in Model No. to **6SS** and
add **S6** to Price Code No.

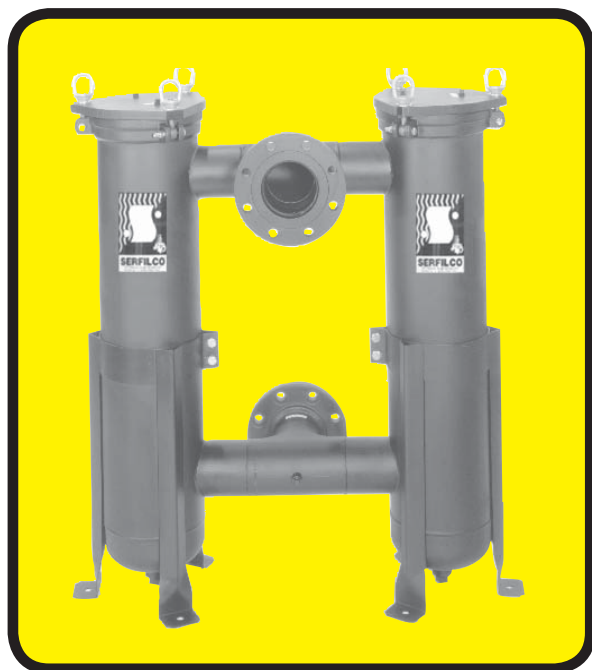
² For Viton elastomers, add **-V** to Model No. and **V** to Price Code No.

³ Basket size 6.7" x 30" (#2)



SERIES 'K' METAL BAG FILTER CHAMBERS

TWIN CAPACITY BAG CHAMBER



FEATURES:

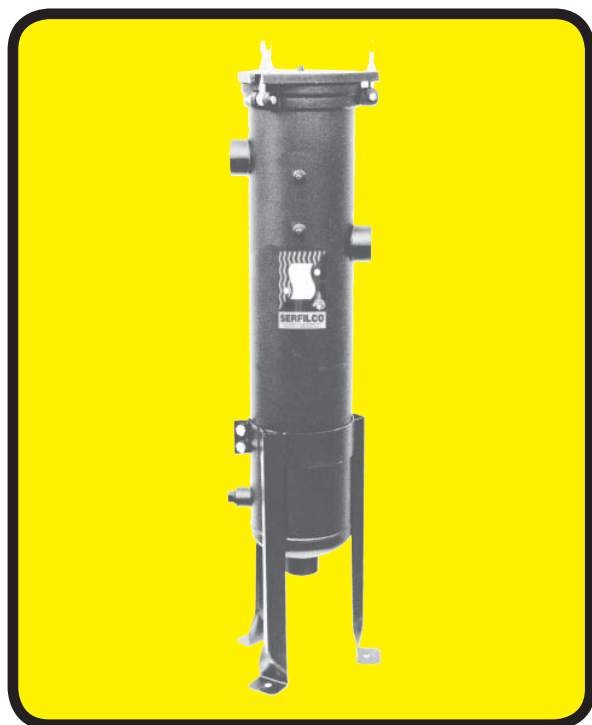
- 2 Model KBS830 housings with common connections
- Increased flow rates
- Lower differential pressure
- Carbon steel or stainless steel construction

MODEL NUMBER ^{1,2}	SURF. AREA ³ (sq.ft)	CONN. SIZE	PRICE CODE NO. ^{1,2}
KBS882-3F	8.8	3" FNPT	78-1806

¹ Model and Price Code Number shown for carbon steel construction.
 - for 304 SS change **S** in Model No. to **4SS** and add **S4** to Price Code No.
 - for 316 SS change **S** in Model No. to **6SS** and add **S6** to Price Code No.

² For Viton elastomers, add **-V** to Model No. and **V** to Price Code No.

OEM 100 PSI BAG CHAMBER



Our OEM, 100 PSI liquid bag housing offers a superb quality vessel for lower pressure applications. The vessel has a dome base and includes all of the favorable features of our standard 150 PSI vessel.

FEATURES:

- Carbon steel or 304 stainless steel construction
- 100 PSI pressure rating
- Low pressure drop with #12 size bag
- Strainer basket
- Side and bottom outlets

MODEL NUMBER ^{1,2}	SURF. AREA ³ (sq.ft)	CONN. SIZE	PRICE CODE NO. ^{1,2}
KBS100-2	5.5	2" NPT	78-1807

¹ Model and Price Code Number shown for carbon steel construction.
 - for 304 SS change **S** in Model No. to **4SS** and add **S4** to Price Code No.

² For Viton elastomers, add **-V** to Model No. and **V** to Price Code No.

³ Basket size 8" x 30" (#12)

SERIES 'K' METAL BAG FILTER CHAMBERS

INITIAL and REPLACEMENT FILTER BAGS



- Polypropylene felt bags
- Heavy duty handle
- Carbon steel ring
- Other bags available (consult sales dept.)

# 3 SIZE BAG 0.5 sq.ft		
MICRON RATING	MODEL	PRICE CODE NUMBER
5	FB-K05K3S	88-1565 A
10	FB-K010K3S	88-1565 B
25	FB-K025K3S	88-1565 C
50	FB-K050K3S	88-1565 D
100	FB-K0100K3S	88-1565 E

# 4 SIZE BAG 1.0 sq.ft		
MICRON RATING	MODEL	PRICE CODE NUMBER
5	FB-K05K4S	88-1566 A
10	FB-K010K4S	88-1566 B
25	FB-K025K4S	88-1566 C
50	FB-K050K4S	88-1566 D
100	FB-K0100K4S	88-1566 E

# 8 SIZE BAG 2.0 sq.ft		
MICRON RATING	MODEL	PRICE CODE NUMBER
5	FB-K05K8S	88-1567 A
10	FB-K010K8S	88-1567 B
25	FB-K025K8S	88-1567 C
50	FB-K050K8S	88-1567 D
100	FB-K0100K8S	88-1567 E

# 1 SIZE BAG 2.3 sq.ft		
MICRON RATING	MODEL	PRICE CODE NUMBER
5	FB-K05K1S	88-1568 A
10	FB-K010K1S	88-1568 B
25	FB-K025K1S	88-1568 C
50	FB-K050K1S	88-1568 D
100	FB-K0100K1S	88-1568 E

# 9 SIZE BAG 3.4 sq.ft		
MICRON RATING	MODEL	PRICE CODE NUMBER
5	FB-K05K9S	88-1569 A
10	FB-K010K9S	88-1569 B
25	FB-K025K9S	88-1569 C
50	FB-K050K9S	88-1569 D
100	FB-K0100K9S	88-1569 E

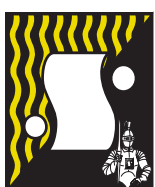
# 2 SIZE BAG 4.4 sq.ft		
MICRON RATING	MODEL	PRICE CODE NUMBER
5	FB-K05K2S	88-1570 A
10	FB-K010K2S	88-1570 B
25	FB-K025K2S	88-1570 C
50	FB-K050K2S	88-1570 D
100	FB-K0100K2S	88-1570 E

# 12 SIZE BAG 4.4 sq.ft		
MICRON RATING	MODEL	PRICE CODE NUMBER
5	FB-K05K12S	88-1571 A
10	FB-K010K12S	88-1571 B
25	FB-K025K12S	88-1571 C
50	FB-K050K12S	88-1571 D
100	FB-K0100K12S	88-1571 E

F.O.B. Northbrook, Illinois

Specifications subject to change without notice.

Registered Trademark: Viton - DuPont Dow Elastomers



SERFILCO, LTD.

2900 MacArthur Blvd. 847-509-2900
 Northbrook, IL 60062-2005 U.S.A. 800-323-5431
 e-mail: sales@serfilco.com FAX: 847-559-1995
 www.serfilco.com