

SERIES 'ST' PLASTIC FILTER CHAMBERS

For filtration & purification of process solutions:

**WATER TREATMENT / PHOTOGRAPHIC
ELECTROPLATING / PHARMACEUTICAL
CHEMICAL / PETROCHEMICAL**

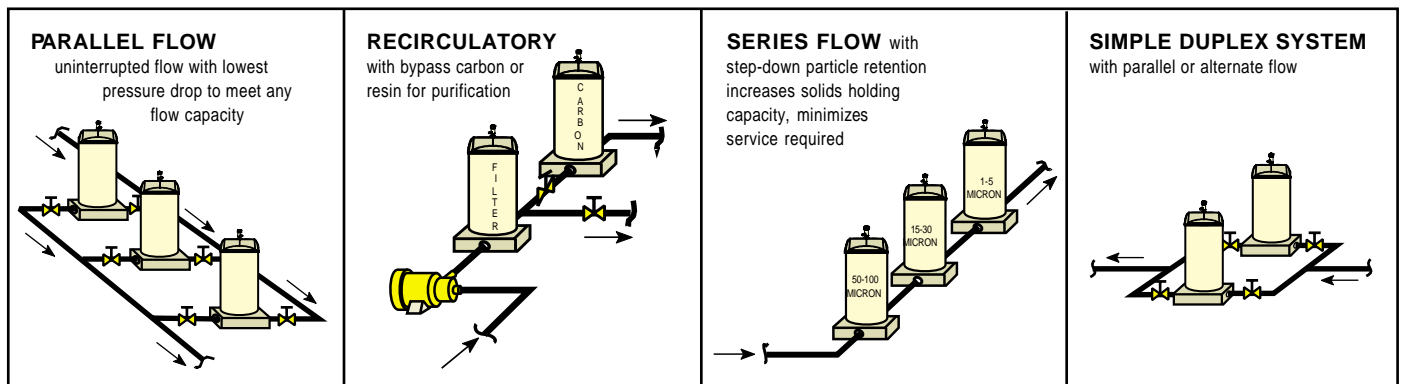
These filter chambers are designed for filtering process solutions where clarification will extend operating life of the solution and improve quality.

FEATURES:

- **Non-metallic solution contact** — CPVC or PVC construction
(See a chemical resistance chart)
- **CPVC cartridge guides with screw-on caps for positive cartridge seal**
- **Integral shell-base assembly**
- **Inlet to outlet at 90° or 180° aspect**
- **Screw top cover closure**
- **Quick and easy cartridge change**
- **Variety of sizes are available**
From 3 to 12 - 10" cartridge capacity
(or equivalent 20", 30", or 40" lengths.)
- **"O"-ring seal at cover & polypropylene vent valve**
EPDM (standard), Vitor® (optional)

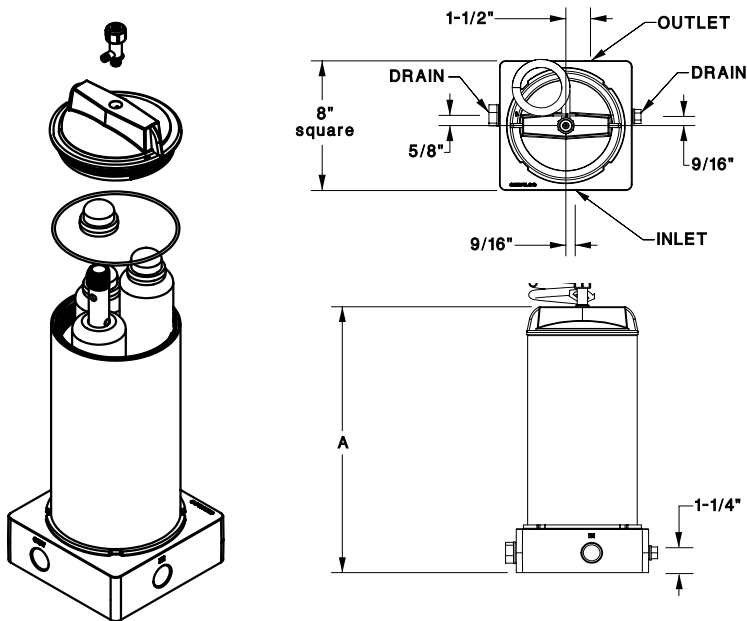
For use with a variety of filter media (order separately)

Depth wound, pleated, carbon or membrane cartridges
(2-5/8" O.D. max.)



SERIES 'ST' FILTER CHAMBERS Specifications and ordering information

DESCRIPTION		MODEL NUMBER	PRICE CODE NO.
PL	CPVC base and cover, PVC shell sealed to base. EPDM "O"-ring at cover and polypropylene vent valve. CPVC internals. CPVC cartridge guides, caps and drain plugs. For DOE cartridges.	PL30(1)P-1	78-1308
		PL60(2)P-1	78-1309
		PL90(3)P-1	78-1310
		PL120(4)P-1	78-1311
CL	CPVC base and cover, CPVC shell sealed to base. EPDM "O"-ring at cover and polypropylene vent valve. CPVC internals. CPVC cartridge guides, caps and drain plugs. For DOE cartridges.	CL30(1)P-1	78-1300
		CL60(2)P-1	78-1301
		CL90(3)P-1	78-1302
		CL120(4)P-1	78-1303



FLOW RATE vs. PRESSURE DIFFERENTIAL (with 15 micron depth wound cartridges)		
1" FNPT CONNECTIONS	@ 5 PSI	@ 15 PSI
	30 GPM	58 GPM
	114 LPM	220 LPM

MAXIMUM OPERATING TEMPERATURE
CPVC 180°F PVC 140°F
MAXIMUM OPERATING PRESSURE
40 PSI @ 70°F

DIMENSIONS

CHAMBER					CARTRIDGES - Max. dia. 2-5/8"				SLEEVE SET (CPVC & POLYPROPYLENE)			
SIZE	HEIGHT (A)		SHIPPING WT.		SIZE & NUMBER				SOLIDS AREA sq. ft.	LENGTH in.	SOLIDS AREA sq. ft.	PRICE CODE NO.
	in.	mm	lbs.	kg	10"	20"	30"	40"				
30(1)	16-5/8	422	13	6	3	-	-	-	10.5	10	1.8	78-0194
60(2)	26-5/8	676	25	11	6	3	-	-	21.0	20	3.6	78-0195
90(3)	36-5/8	930	38	17	9	-	3	-	31.5	30	5.4	78-0196
120(4)	46-5/8	1184	50	23	12	6	-	3	42.0	40	7.2	78-0416

OPTIONAL

TO ORDER	DESCRIPTION	ADD to MODEL NO.	ADD to PRICE CODE NO.
Viton® elastomers	Viton gaskets	Change L to V	-V
Mounting bracket (Adjustable)	9" x 8" x 1" (229 x 203 x 25mm)	Use prefix S	88-0556-1
Chamber with center port for single 5½" dia. pleated cartridge		Consult Sales Department	

Specifications subject to change without notice.