

SERIES 'FRP' PLASTIC FILTER CHAMBERS

HIGH FLOW RATES AND HIGH OPERATING PRESSURES FOR:



FRP320S

FRP240S

**WATER / DEIONIZED WATER
SEA WATER / BRACKISH WATER
INDUSTRIAL LIQUIDS / CHEMICALS
OEM-REVERSE OSMOSIS &
ULTRA-FINE PREFILTER**

- **Non-metallic solution contact**
Derakane® vinyl ester resin and CPVC
(See a chemical resistance chart)
- **Heavy duty construction**
Filament-wound fiberglass and epoxy vessel with integral domed bottom
- **Rated to 125 PSI from 32°F to 200°F**
(862 kPa from 0°C to 93°C)
- **Two sizes available**
24 and 32 - 10" cartridges
- **High flow rates to 320 U. S. GPM (1211 LPM) at low PSI differential**
- **2" or 3" FNPT connections standard**
Optional ANSI 150 PSI flanges
- **Quick cartridge change**
Easy cartridge change, no tools required

For use with a variety of filter media¹:

- Depth wound, pleated, carbon and membrane cartridges
- Positive cartridge seal for -
DOE . . . Double Open End
SOE . . . Single Open End with 120 "O"-ring
- Cleanable sleeves (used with or without precoat)

Series 'FRP' Filter Chambers provide economical particulate removal and extend the useful life of solutions through clarification. They are constructed of thermoset plastic resin reinforced with continuous filament wound fiberglass to offer the strongest FRP composite obtainable. No pigments or fillers are used, making these chambers suitable for a wide range of liquids. Standard models have EPDM "O"-rings (Viton® optional) and CPVC internals for non-metallic solution contact.

All 'FRP' models include CPVC tube guides which

accept 30" and 40" unit length DOE and 120 "O"-ring SOE cartridges². They also accept carbon cartridges. An optional CPVC cross post set can be ordered for stacking 10" or 20" DOE cartridges.

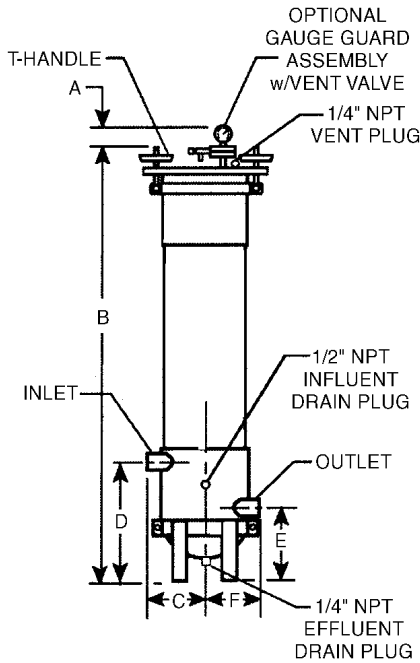
'FRP' chambers use vinyl coated 316 stainless steel springs and CPVC cartridge seats to provide positive seating. 304 stainless steel swing bolts and polyester T-handles facilitate quick opening of cover closure. Chambers include 304 stainless steel mounting legs. Models have FNPT inlet and outlet connections. Optional flange connections available.

¹ Cartridges must be ordered separately. Refer to Filter Media.

² See option section for modification required to accept SOE cartridges.

SERIES 'FRP' FILTER CHAMBERS (cont'd)

SERIES FRP CHAMBERS



DIMENSIONS - Inches (mm)							
MODEL	A	B	C	D	E	F	PORT SIZE FNPT
FRP240S	3 (76)	47-1/2 (1181)	7-1/4 (184)	15-1/8 (384)	9-1/8 (232)	7-3/4 (197)	2" or 3" IN & OUT
FRP320S		57-1/2 (1460)					

TO ORDER, use Price Code Number

MODEL	FNPT CONNS.	NUMBER OF CARTRIDGES (Ordered separately)	FLOW RATE* @ PRESS. DIFF. U.S. GPM		MAXIMUM FLOW RATE U.S. GPM	SHIP. WT. lbs.	PRICE CODE NUMBER
			2 PSI	5 PSI			
FRP240S-2	2"	8-30" or 24-10"	100	190	240	63	77-9968
FRP320S-2		8-40" or 32-10"					
FRP240S-3	3"	8-30" or 24-10"	180	300	240	63	78-1342
FRP320S-3		8-40" or 32-10"					

* Using clean 10 micron Maxi-Depth wound filter cartridges.

OPTIONAL, use Price Code Number

DESCRIPTION	ADD TO MODEL NO.	USE SEPARATE PRICE CODE NO.
Pressure gauge, 0-160 PSI, on polypropylene gauge guard with diaphragm and CPVC vent valve	-G4A	99-0740
Pressure gauge with Viton diaphragm	-G4AV	99-0740V
Viton "O"-ring	-V	-V (Add to PCN)
Flange connections, 150 PSI ANSI	-F	2" CPVC for 180°F (82°C) maximum temperature
2" PVC for 140°F (60°C) maximum temperature		78-0459
3" CPVC for 180°F (82°C) maximum temperature		78-1122
3" PVC for 140°F (60°C) maximum temperature		78-1344
316 stainless steel swing bolt, clevis pins, hex nuts and washers	-SS	78-1234
Cross post set (to stack 10" or 20" cartridges, in place of standard tube guides,	—	CPVC for Model: FRP240S-2 & 3
FRP320S-2 & 3		77-9916
Modification to accept 120 "O"-ring (internal) SOE cartridges	-120	77-9917
		77-9934

Specifications subject to change without notice.