



**FOR : WATER TREATMENT / FOOD PROCESSING
CLEANING / PHOTOGRAPHIC
ELECTROPLATING / PHARMACEUTICAL
CHEMICAL / PETROCHEMICAL / BEVERAGE**

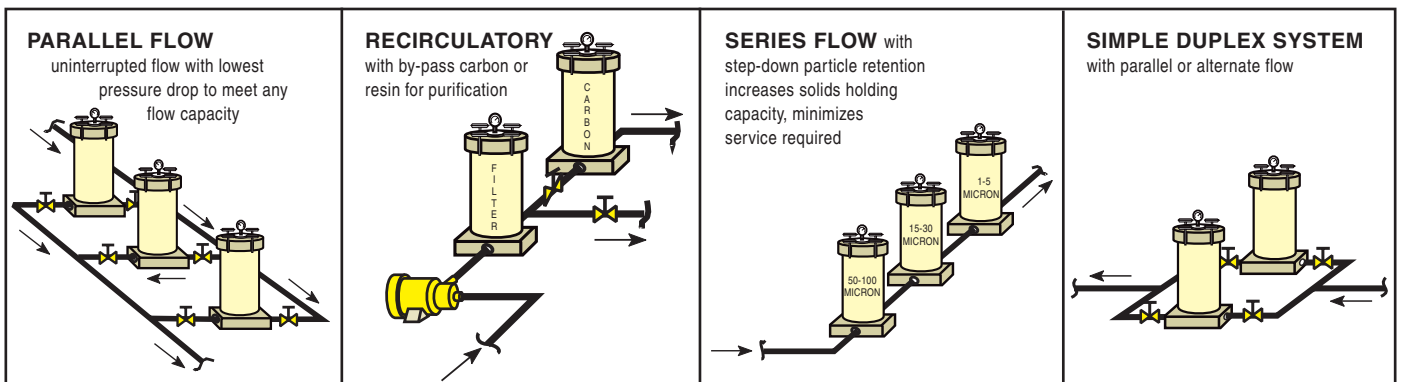
These filter chambers are designed for filtering process solutions where clarification will extend operating life and improve quality.

FEATURES:

- **Non-metallic solution contact**
CPVC, PVC or polypropylene construction
(See a chemical resistance chart)
EPDM elastomers standard, Viton® optional
- **Heavy duty construction**
 - Pressure ratings to 80 PSI (552 KPa)
 - Positive "O"-ring seal at base and cover
 - Cartridge guides with screw-on caps for positive cartridge seal
 - Stainless steel external hardware
 - 0-60 PSI pressure gauge with gauge guard and vent valve
- **Cartridge capacity**
From 12 to 60 - 10" cartridge capacity
(or equivalent 20", 30", or 40" lengths)
- **Easy service**
Swing bolt cover closure with tee handles – no tools required
- **Port size 1½" NPT**
BSP optional

FLOW RATE

Flow rates to 125 GPM depending upon size of chamber, style of filter cartridge, solids content, viscosity, pressure drop and degree of clarity desired. Pressure ratings of filter chambers depend upon the temperature of solutions being filtered. See table.



SERIES 'G' FILTER CHAMBERS Specifications and Ordering information

All chambers have cover swing bolts with tee handles, stainless steel swing bolt and hold down brackets; FRP top and bottom reinforcing plate, cartridge guides with screw-on cap, 0-60 PSI pressure

gauge with gauge guard, EPDM gaskets and drain plugs. All fasteners are stainless steel. For DOE cartridges.

TO ORDER, USE PRICE CODE NUMER

DESCRIPTION	CONNS.	MODEL NUMBER	PRICE CODE NUMBER	NUMBER of 10" CARTS	SOLIDS*	SLEEVE SET CPVC & POLYPROPYLENE		SHIPPING WEIGHT lbs.
						SOLIDS AREA sq. ft.	Add PCN	
PL CPVC base and cover, PVC shell, CPVC vent valve and internals.	1½" NPT	PL120SIO 1½-G3A	78-1901P	12	42	7.2	78-0209	82
		PL240SIO 1½-G3A	78-1902P	24	84	14.4	78-0201	89
		PL360SIO 1½-G3A	78-1903P	36	126	21.6	78-0202	97
		PL480SIO 1½-G3A	78-1904P	48	168	28.8	78-0203	104
		PL600SIO 1½-G3A	78-1905P	60	210	36.0	78-0204	112
CL CPVC base, cover, shell, vent valve and internals.	1½" NPT	CL120SIO 1½-G3A	78-1901C	12	42	7.2	78-0209	82
		CL240SIO 1½-G3A	78-1902C	24	84	14.4	78-0201	89
		CL360SIO 1½-G3A	78-1903C	36	126	21.6	78-0202	97
		CL480SIO 1½-G3A	78-1904C	48	168	28.8	78-0203	104
		CL600SIO 1½-G3A	78-1905C	60	210	36.0	78-0204	112
PPL Polypropylene base, cover and shell, CPVC vent valve and internals.	1½" NPT	PPL120SIO 1½-G3A	78-1901PP	12	42	7.2	78-0209	82
		PPL240SIO 1½-G3A	78-1902PP	24	84	14.4	78-0201	89
		PPL360SIO 1½-G3A	78-1903PP	36	126	21.6	78-0202	97
		PPL480SIO 1½-G3A	78-1904PP	48	168	28.8	78-0203	104
		PPL600SIO 1½-G3A	78-1905PP	60	210	36.0	78-0204	112

* For each 10" length, the solids holding capacity is 3" sq ft of surface media of the same porosity

For use with a variety of filter media (order separately)

- Depth wound, pleated, carbon or membrane cartridges
- Positive cartridge seal for Double Open End (DOE)
Standard - DOE ... Double Open End
Optional - SOE ... Single Open End for 222 "O"-ring
- Cleanable sleeves (used with or without precoat)

OPTIONAL

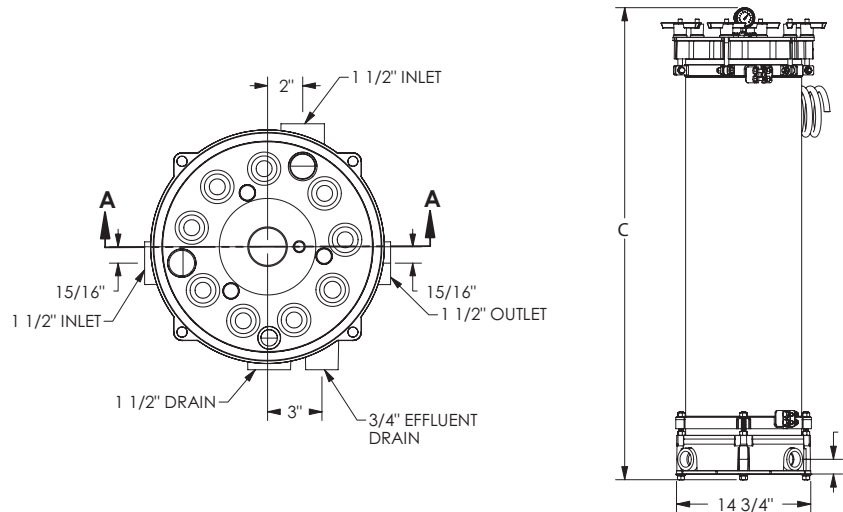
TO ORDER	ADDDO MODEL NO.	ADDDO PRICE CODE NO.
Viton elastomers	change L to V	- V
1½" BSP connections**	- B	- B

** For flange or socket connection consult factory

TO ORDER	ADDDO MODEL NO.	ADDDO PRICE CODE NO.
222 "O"-ring seat for SOE (Single open end flat top) cartridge. Top seats, springs and cross posts not furnished.	-2	- 2

SERIES 'G' FILTER CHAMBERS Dimensions and Technical information

DIMENSIONS



CHAMBER MODEL	C HEIGHT in.	CARTRIDGES (Max. dia. 2-5/8") SIZE & NUMBER			
		10"	20"	30"	40"
120S-1½	21¼	12	—	—	—
240S-1½	31¼	24 or 12	—	—	—
360S-1½	41¼	36	— or 12	—	—
480S-1½	51¼	48 or 24	—	— or 12	—
600S-1½	61¼	60 or 12	+ 12	—	—

PRESSURE / TEMPERATURE

MAXIMUM PRESSURE AT OPERATING TEMPERATURE WITH TOP & BOTTOM REINFORCING PLATES			
TEMPERATURE	PSI ¹		
	PL	PPL	CL
70°F	80	75	80
100°F	75	60	75
120°F	40	50	70
140°F	25	40	55
170°F	—	15	35
200°F	—	—	30

FLOW RATE vs. PRESSURE DIFFERENTIAL ²		
MODEL	@ 5 PSI	@ 15 PSI
1½" 'G'	60 GPM 227 LPM	110 GPM 416 LPM

¹ Maximum differential pressure from inlet to outlet (across separator plate) is 40 PSI at 68° F.

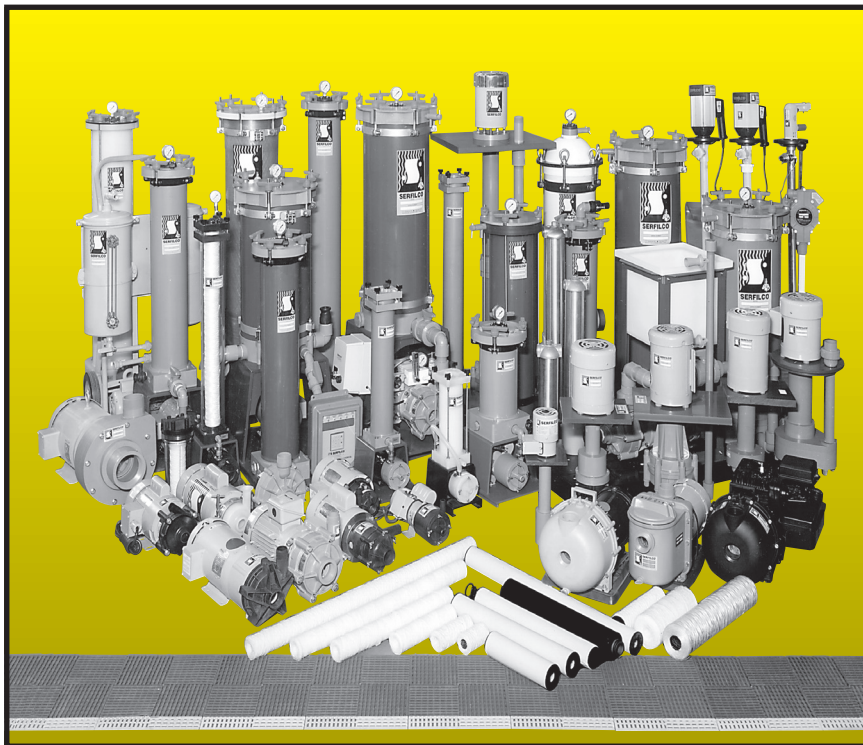
² With 15 micron depth wound cartridges.



SERFILCO[®], LTD.

2900 MacArthur Blvd. 847-509-2900
Northbrook, IL 60062-2005 U.S.A. 800-323-5431
e-mail: sales@serfilco.com FAX: 847-559-1995
www.serfilco.com

SERFILCO — Your one-stop source for pumping, filtration and purification needs!



SERFILCO can help you realize the economic value of clarification and purification of your process solutions and waste streams. Our wide range of pumps, filters, packaged systems, accessories and related control instruments make it possible for you to take advantage of one-stop shopping for all of your liquid handling needs. With modern filtration technology at work in your facility, you can reduce waste, lower your manufacturing costs, and enhance product integrity.

We've been serving industry worldwide for 40 years. We're ready to serve you, too!