

SERFILCO®

SERIES 'L' PLASTIC FILTER CHAMBERS

BULLETIN
C-105S
NOV. 2004



FOR FILTRATION & PURIFICATION OF PROCESS SOLUTIONS:

**ELECTROPLATING / CARBON PURIFICATION
WATER TREATMENT / CLEANING
PHOTOGRAPHIC / PHARMACEUTICAL
CHEMICAL / PETROCHEMICAL / BEVERAGE**

FEATURES:

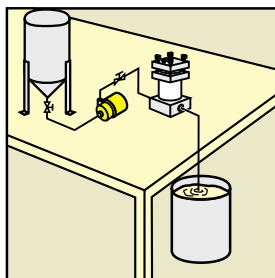
- Non-metallic solution contact CPVC, polypropylene, PVC and pure PVDF construction
(See a chemical resistance chart)
- Heavy duty construction
 - Pressure ratings to 160 PSI (1103 KPa)
(See Pressure/temperature table on next page)
 - Clamp ring closure or optional external tie rod
- Variety of sizes
From 4", 6" and 1 to 4 - 10" cartridge capacity
(or equivalent 20", 30", or 40" lengths.)
- Port sizes 3/4" and 1" NPT
Metric and flange available
- "O"-ring seal at cover & vent valve
EPDM (standard), Viton® (optional)
- Easy servicing, no tools required

For use with a variety of filter media (order separately)

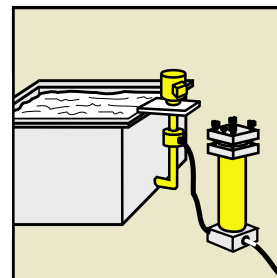
- Depth wound, pleated, carbon or membrane cartridges
- Positive cartridge seal for -
Standard - DOE . . . Double Open End
Optional - SOE . . . Single Open End for 222 "O"-ring
- Cleanable sleeves (used with or without precoat)

FLOW RATE

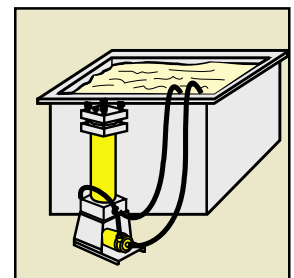
Flow rates up to 34 GPM depending upon style and length of filter cartridge, solids content, viscosity, pressure drop, size of connection and degree of clarity desired. Pressure ratings of filter chambers depend upon the temperature of solutions being filtered. See Pressure/temperature table on next page.



LABORATORY
PROCESSING



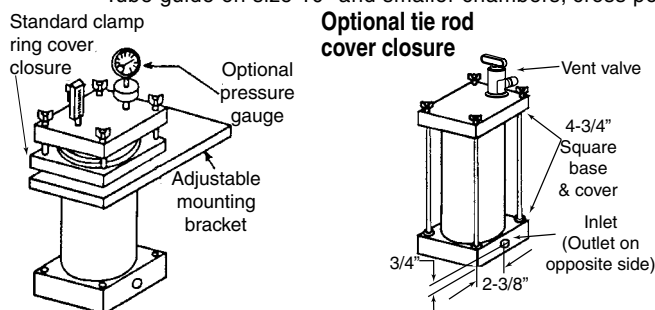
TRANSFER
FILTRATION



RECIRCULATION
FILTRATION

SERIES 'L' CHAMBERS					
DESCRIPTION	4,6 & 10 models have a tube guide: 20, 30 & 40 models have a cross post.	MODEL NUMBER w/3/4" NPT CONN.	PRICE CODE NO.	MODEL NUMBER w/1" NPT CONN.	PRICE CODE NO.
PCL	CPVC base and cover, translucent PVC shell sealed to base, EPDM "O"-ring at cover and at polypropylene vent valve. CPVC cross post or CPVC tube guide**. Clamp ring cover closure. For DOE cartridges.	CPCL4 3/4	78-1266AC	CPCL4 1	78-1266BC
		CPCL6 3/4	78-1267AC	CPCL6 1	78-1267BC
		CPCL10 3/4	78-1268AC	CPCL10 1	78-1268BC
		CPCL20 3/4	78-1269AC	CPCL20 1	78-1269BC
		CPCL30 3/4	78-1270AC	CPCL30 1	78-1270BC
		CPCL40 3/4	78-1271AC	CPCL40 1	78-1271BC
CL	CPVC base and cover, CPVC shell sealed to base, EPDM "O"-ring at cover and at polypropylene vent valve. CPVC cross post or CPVC tube guide**. Clamp ring cover closure. For DOE cartridges.	CCL4 3/4	78-0238AC	CCL4 1	78-0238BC
		CCL6 3/4	78-0239AC	CCL6 1	78-0239BC
		CCL10 3/4	78-0240AC	CCL10 1	78-0240BC
		CCL20 3/4	78-0241AC	CCL20 1	78-0241BC
		CCL30 3/4	78-0242AC	CCL30 1	78-0242BC
		CCL40 3/4	78-0243AC	CCL40 1	78-0243BC
PPL	Polypropylene* base and cover, polypropylene shell sealed to base, EPDM "O"-ring at cover and at polypropylene vent valve. Polysulfone cross post or polypropylene tube guide**. Clamp ring cover closure. For DOE cartridges. (* glass reinforced polypropylene)	CPPL4 3/4	78-0285AC	CPPL4 1	78-0285BC
		CPPL6 3/4	78-0286AC	CPPL6 1	78-0286BC
		CPPL10 3/4	78-0287AC	CPPL10 1	78-0287BC
		CPPL20 3/4	78-0288AC	CPPL20 1	78-0288BC
		CPPL30 3/4	78-0289AC	CPPL30 1	78-0289BC
		CPPL40 3/4	78-0290AC	CPPL40 1	78-0290BC
KL	PVDF base and cover, PVDF shell sealed to base, EPDM "O"-ring at cover and at PVDF vent plug. Polysulfone cross post or PVDF tube guide**. Clamp ring cover closure. For DOE cartridges.	CKL4 3/4	78-0465AC	CKL4 1	78-0465BC
		CKL6 3/4	78-0466AC	CKL6 1	78-0466BC
		CKL10 3/4	78-0467AC	CKL10 1	78-0467BC
		CKL20 3/4	78-0468AC	CKL20 1	78-0468BC
		CKL30 3/4	78-0469AC	CKL30 1	78-0469BC

** Tube guide on size 10" and smaller chambers; cross post on size 20" and larger chambers.



FLOW RATE vs. PRESS. DIFF. ¹			MAX. PSI PRESSURE AT OPERATING TEMP. WITH TIE ROD COVER CLOSURE ²			
CONN.	@ 5 PSI	@ 15 PSI	TEMP	CL	KL	PPL & PCL
3/4"	12 GPM 45 LPM	24 GPM 91 LPM	70°F	160	130	100
1"	20 GPM 76 LPM	34 GPM 129 LPM	100°F	130	105	85
			120°F	105	90	75
			140°F	80	75	65
			170°F	50	60	25
			200°F	30	45	—

¹ With 15 micron depth wound cartridges.
² With clamp ring cover closure 40 PSI max.

DIMENSIONS												
CHAMBER			CARTRIDGES - Max. dia. 3"						SLEEVE SET (CPVC & POLYPROPYLENE)			
SIZE	HEIGHT in.	SHIPPING WT. lbs.	SIZE & NUMBER						SOLIDS AREA	LENGTH in.	SOLIDS AREA sq. ft.	PRICE CODE NO.
			4"	6"	10"	20"	30"	40"				
4	7	3	1	—	—	—	—	—	1.4	—	—	—
6	9	4	—	1	—	—	—	—	2.1	—	—	—
10	13	5	—	—	1	—	—	—	3.5	10	0.6	78-0191
20	23	7	—	—	2	1	—	—	7.0	20	1.2	78-0192
30	33	9	—	—	3	—	1	—	10.5	30	1.8	78-0193
40	43	11	—	—	4	2	—	1	14.0	40	2.4	78-0197

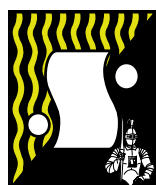
OPTIONAL

TO ORDER	DESCRIPTION	ADD to MODEL NO.	ADD to PRICE CODE NO.
Viton elastomers	Change L to V in Model Number.		-V
Mounting bracket	Adjustable: 9" x 5" PVC		44-3200-1
Cover plate	Standard on models with tie rod cover closure. (Recommended above 120°F at 75% of max. pressure)		99-1099-1
222 "O"-ring cartridge seat	For SOE (single open and flat top) cartridge. Cross post not furnished.	-2	-2
Pressure gauge 0-60 PSI	Mounted in cover with EPDM diaphragm & vent valve.	Polypropylene	-G4A
		CPVC	-G4A
	Mounted in cover with Viton diaphragm & vent plug	PVDF	-G4

Tie rod cover closure	Drop first C from Model Number and C from Price Code Number
-----------------------	---

F.O.B. Northbrook, Illinois

Specifications subject to change without notice.



SERFILCO, LTD.

2900 MacArthur Blvd. 847-509-2900
 Northbrook, IL 60062-2005 U.S.A. 800-323-5431
 e-mail: sales@serfilco.com FAX: 847-559-1995
 www.serfilco.com

DISTRIBUTED BY